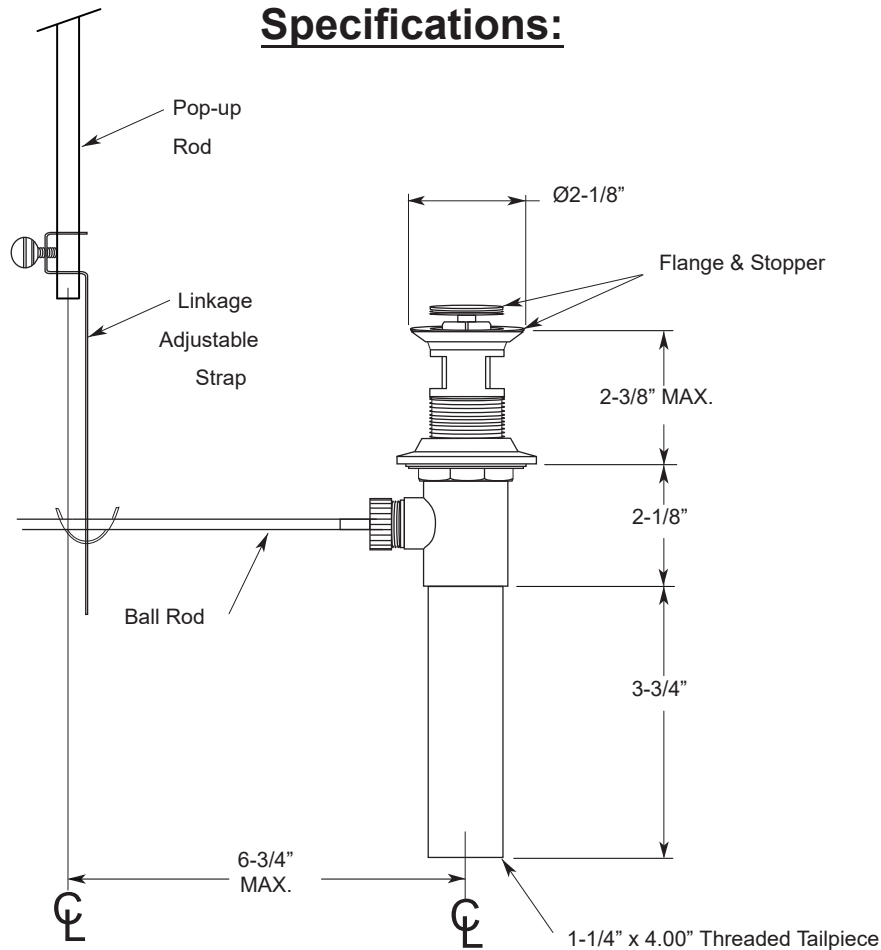


FEATURES:

- All brass construction.
- Fits 1-1/2" hole. 1-1/4" x 8" with overflow holes.
- Flange and stopper are finished only.
- Extended ball rod 14" long available: P/N: APS.11.019
- Available in all finishes.

Specifications:



Installation Instructions:

1. Remove the flange and stopper and apply neutral sealant to the bottom of the flange. Install drain body through the bottom of the sink hole and attach to the flange. Verify that the hole for the ball rod is facing towards the back of the sink and tighten the mounting nut against the sink.
2. Remove the threaded tailpiece, apply teflon tape to seal the threads, and reattach to the drain body.
3. Install the stopper into the flange and swivel so that the hook at the bottom can catch the ball rod. Verify that the ball rod ball is surrounded by the cone washers and that the ball rod nut is facing towards the back of the sink, then install the ball rod into its hole in the drain body and through the hook for the stopper. Tighten the nut so that the rod is secure, but can move freely up and down
4. Attach the pop-up rod to the linkage adjustable strap and secure with the screw. Use the clip to attach the ball rod to the linkage adjustable strap. Check the action of the stopper and make any necessary adjustments.
5. The waste apparatus can now be connected to the bottom of the tailpiece