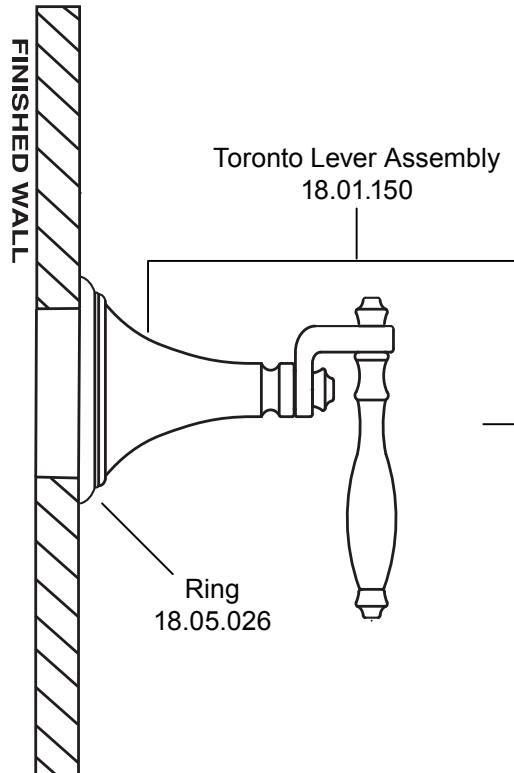


Toronto Handle  
In-Wall Trim  
1.002087T



---

With the following valves:

- 18.30.020 - 1/2" Volume Control (Cartridge: 18.30.036)
- 18.30.023 - 3/4" Volume Control (Cartridge: 18.30.011)
- 18.30.255 - 3 Port In-Wall Diverter (Cartridge: 18.30.259)
- 18.30.253 - 4 Port In-Wall Diverter (Cartridge: 18.30.257)