

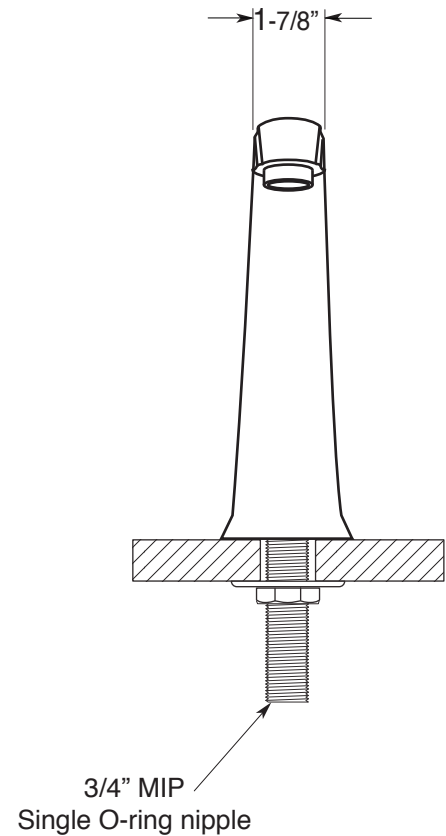
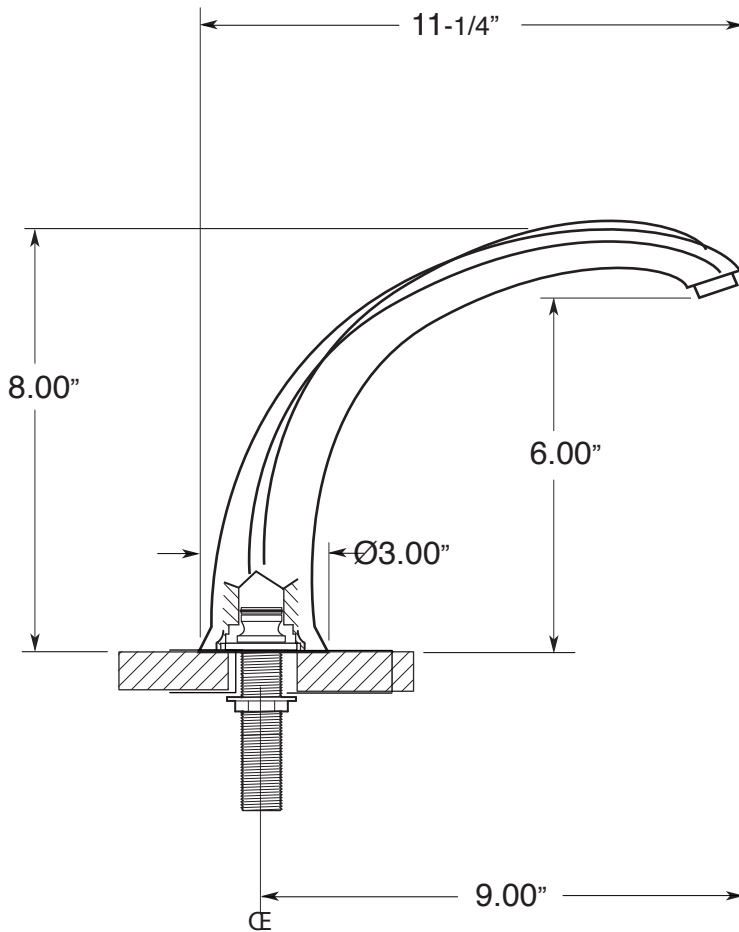
FEATURES:

- All brass construction
- Available in all Sigma finishes
- Large aerator for clean water flow
- Single O-ring Nipple 18.15.043
- Maximum deck thickness: 3.00"
- Certified to meet or exceed the following codes and standards:
ASME A112.18.1/CSA B125.1-2011

Specialty Fittings

**500 Goliath
Roman Tub Spout**

18.15.001



NOTE: Spouts install through 1-1/4" Diameter Holes.

Note: Measurements are subject to change or cancellation. No responsibility is assumed for use of superseded or voided pages.