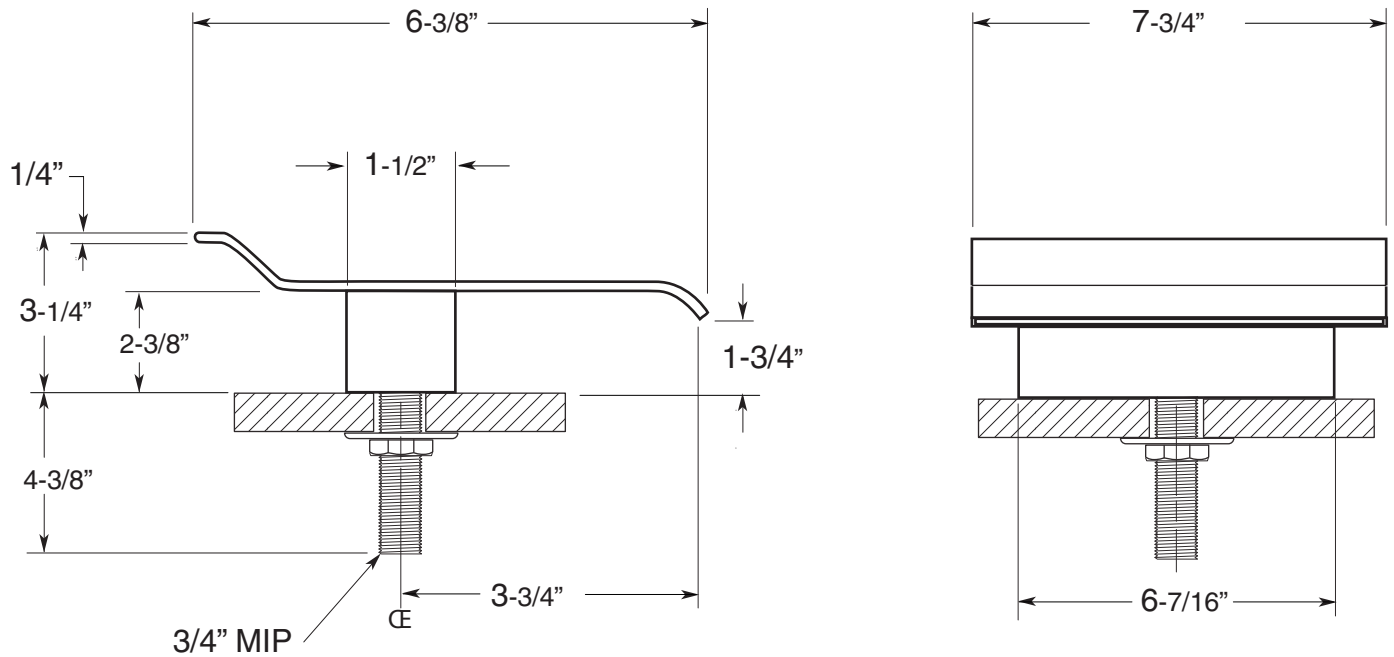


**FEATURES:**

- All brass construction
- Available in all Sigma finishes
- Maximum deck thickness: 3-1/2"

**SPECIFICATIONS**  
**Specialty Fittings**

Sheet Waterfall  
 Roman Tub Spout  
 18.15.014



**NOTE: Spouts install through 1-1/4" Diameter Holes.**

Note: Measurements are subject to change or cancellation. No responsibility is assumed for use of superseded or voided pages.