

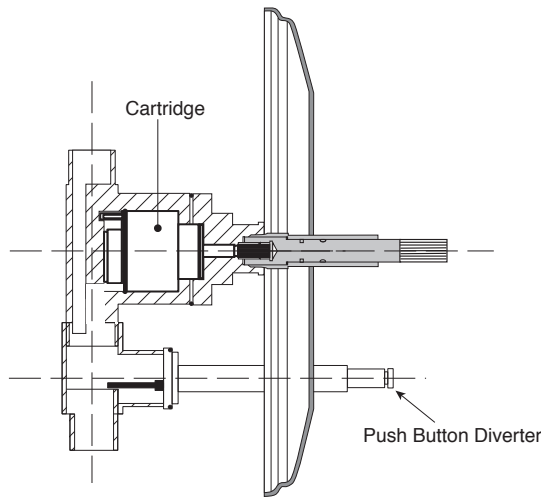
**SPECIFICATIONS**  
**Series 400**

**Features:**

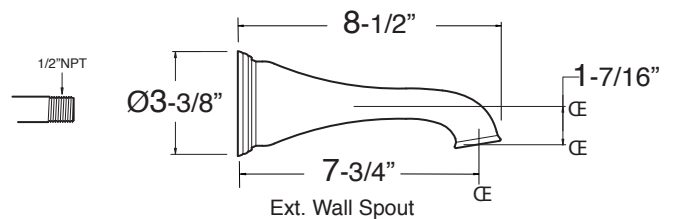
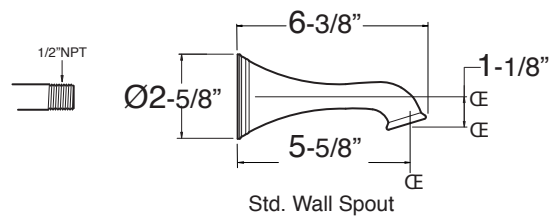
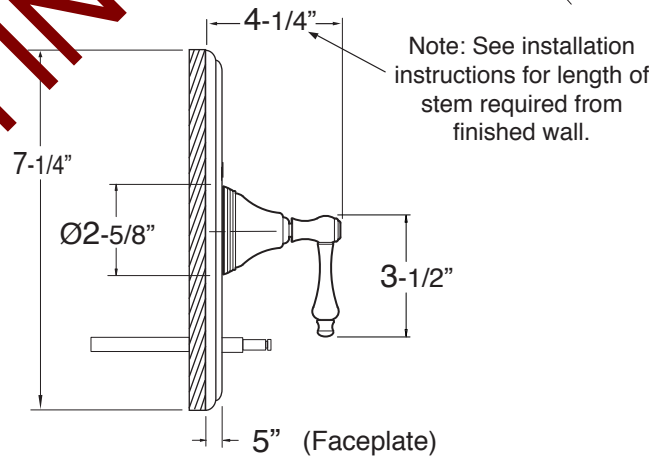
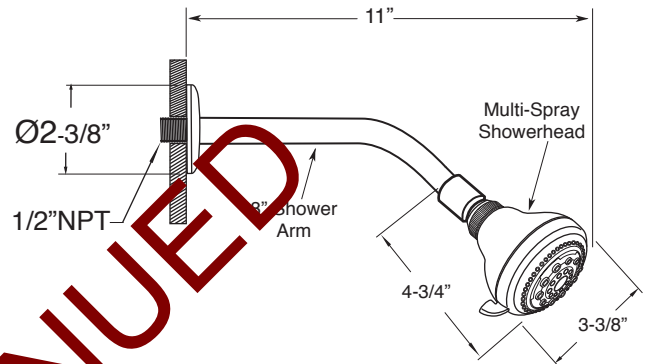
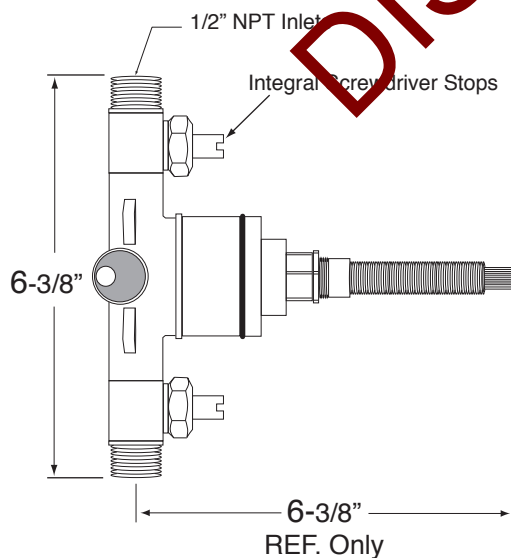
- Forged brass construction
- Ceramic disk valve cartridge 18.30.865
- Adjustable hot limit safety stop
- Reversible cartridge
- 5.6 GPM @ 45 PSI

Pressure Balance Tub & Shower  
1.400368  
Lexington Handle  
(1.400368T - Trim Only)

Cutaway View



Top View



Note: Measurements are subject to change or cancellation. No responsibility is assumed for use of superseded or voided pages.