

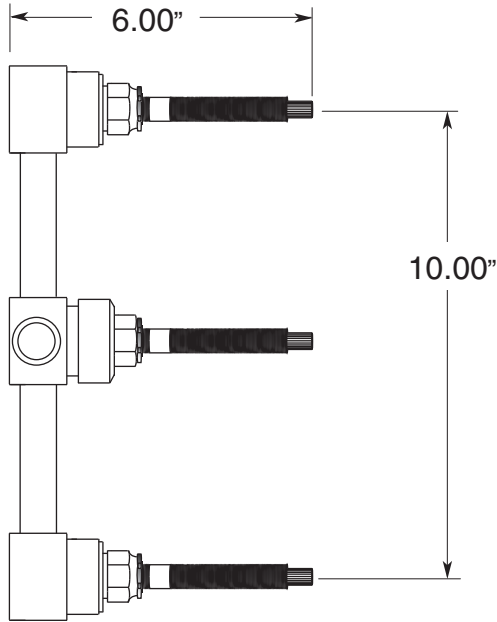
3 Valve Tub & Shower

Features:

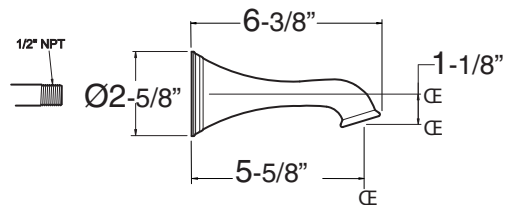
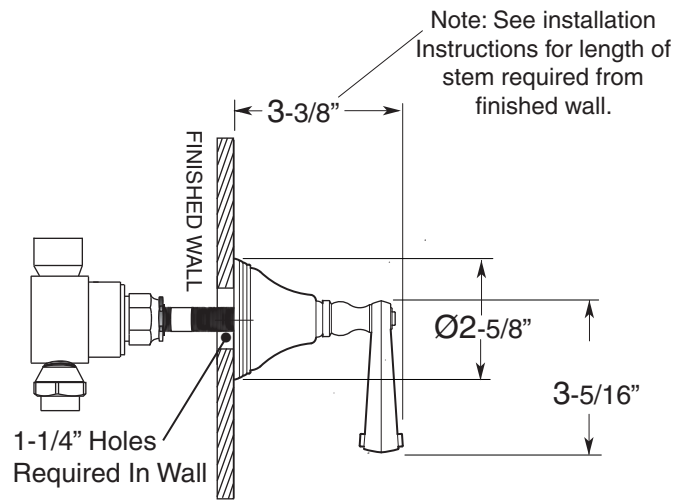
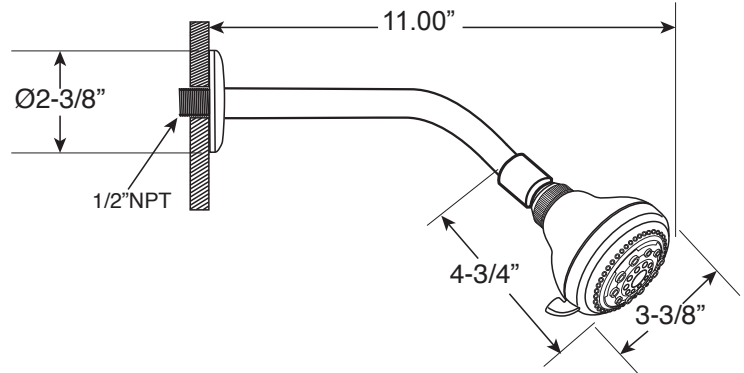
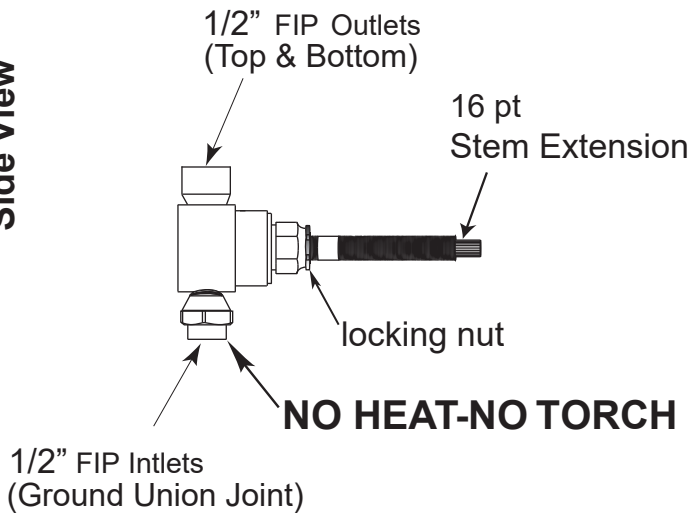
- Forged brass construction
- Built-in diverter valve assembly
- 8" Center to Center available on request
- Replacement cartridge: 18.30.035 - cold / 18.30.036 - hot
18.30.012 - diverter
- Includes 1.8 GPM Showerhead (18.10.051), arm & flange
- 400 Wall Tub Spout (18.17.002) and spout ring

1.400433
Charlotte Handle
1.400433T Trim Only

Top View



Side View



Note: Measurements are subject to change or cancellation. No responsibility is assumed for use of superseded or voided pages.