

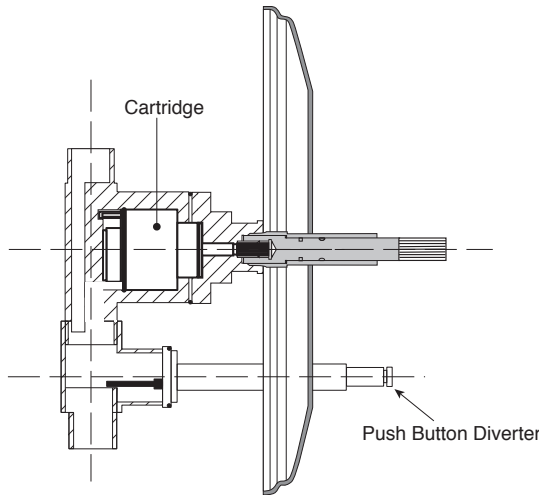
Features:

- Forged brass construction
- Ceramic disk valve cartridge 18.30.865
- Adjustable hot limit safety stop
- Reversible cartridge
- 5.6 GPM @ 45 PSI

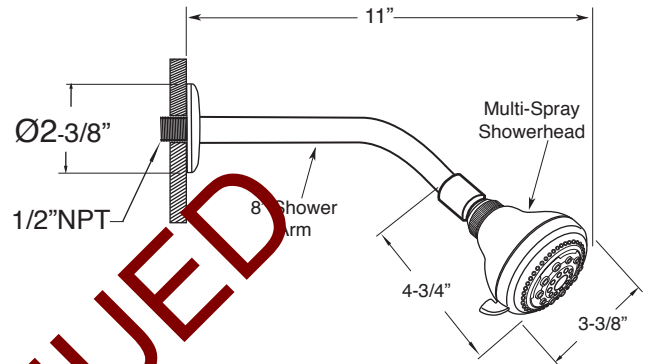
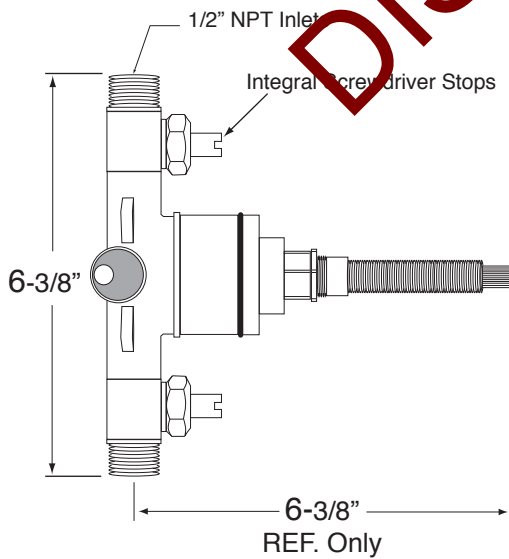
Pressure Balance Tub & Shower
1.400568

Charlotte Elite Handle
(1.400568T - Trim Only)

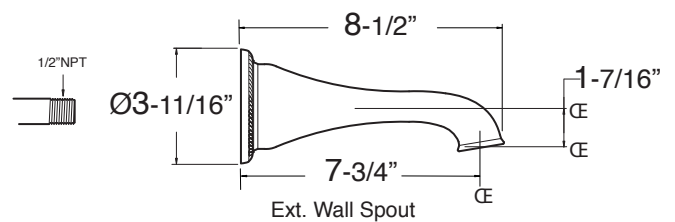
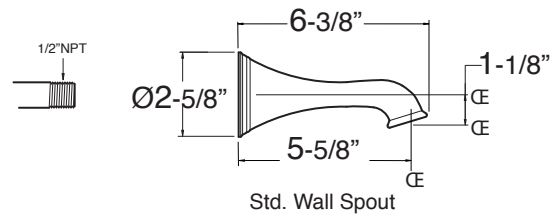
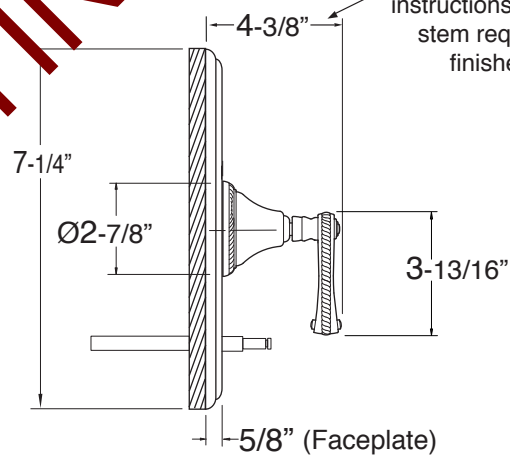
Cutaway View



Top View



Note: See installation instructions for length of stem required from finished wall.



Note: Measurements are subject to change or cancellation. No responsibility is assumed for use of superseded or voided pages.