

Features:

- Forged brass construction
- Ceramic disk valve cartridge 18.30.865
- Adjustable hot limit safety stop
- Reversible cartridge
- 5.6 GPM @ 45 PSI

SPECIFICATIONS
Series 400

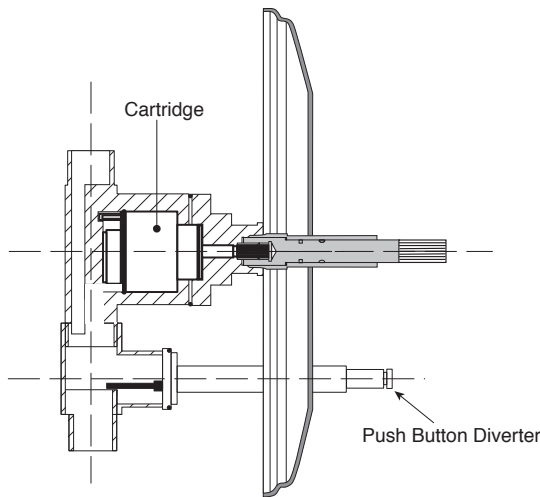
Pressure Balance Tub & Shower

1.400668

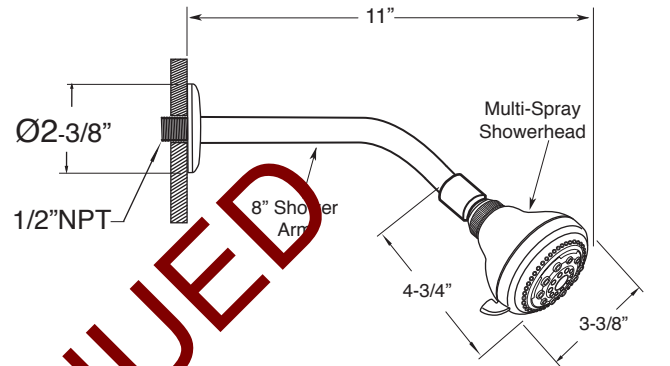
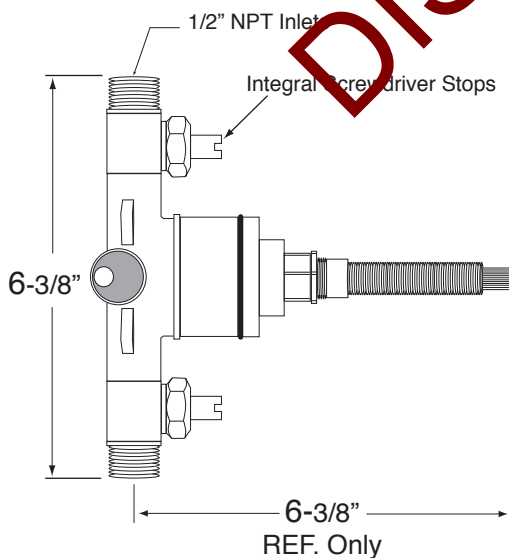
Portsmouth Handle

(1.400668T - Trim Only)

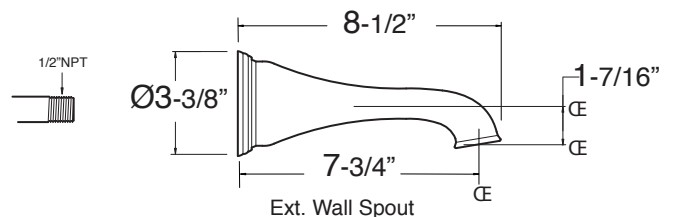
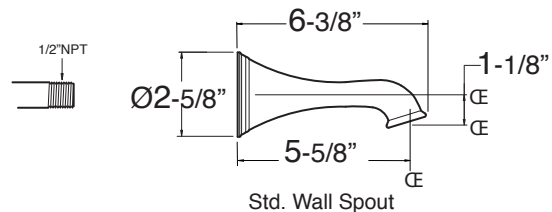
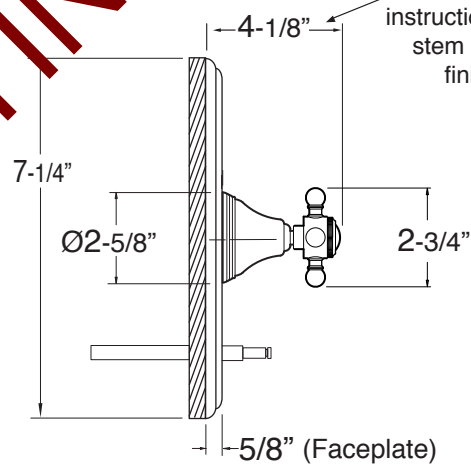
Cutaway View



Top View



Note: See installation instructions for length of stem required from finished wall.



Note: Measurements are subject to change or cancellation. No responsibility is assumed for use of superseded or voided pages.