

FEATURES:

- All brass construction.
- 3/4" valve bodies with 16 PT. 1/4-turn ceramic disc cartridge.
  - Cold Cartridge 18.30.017, Hot Cartridge 18.30.018
- Available in all finishes. Warranty varies according to finish.

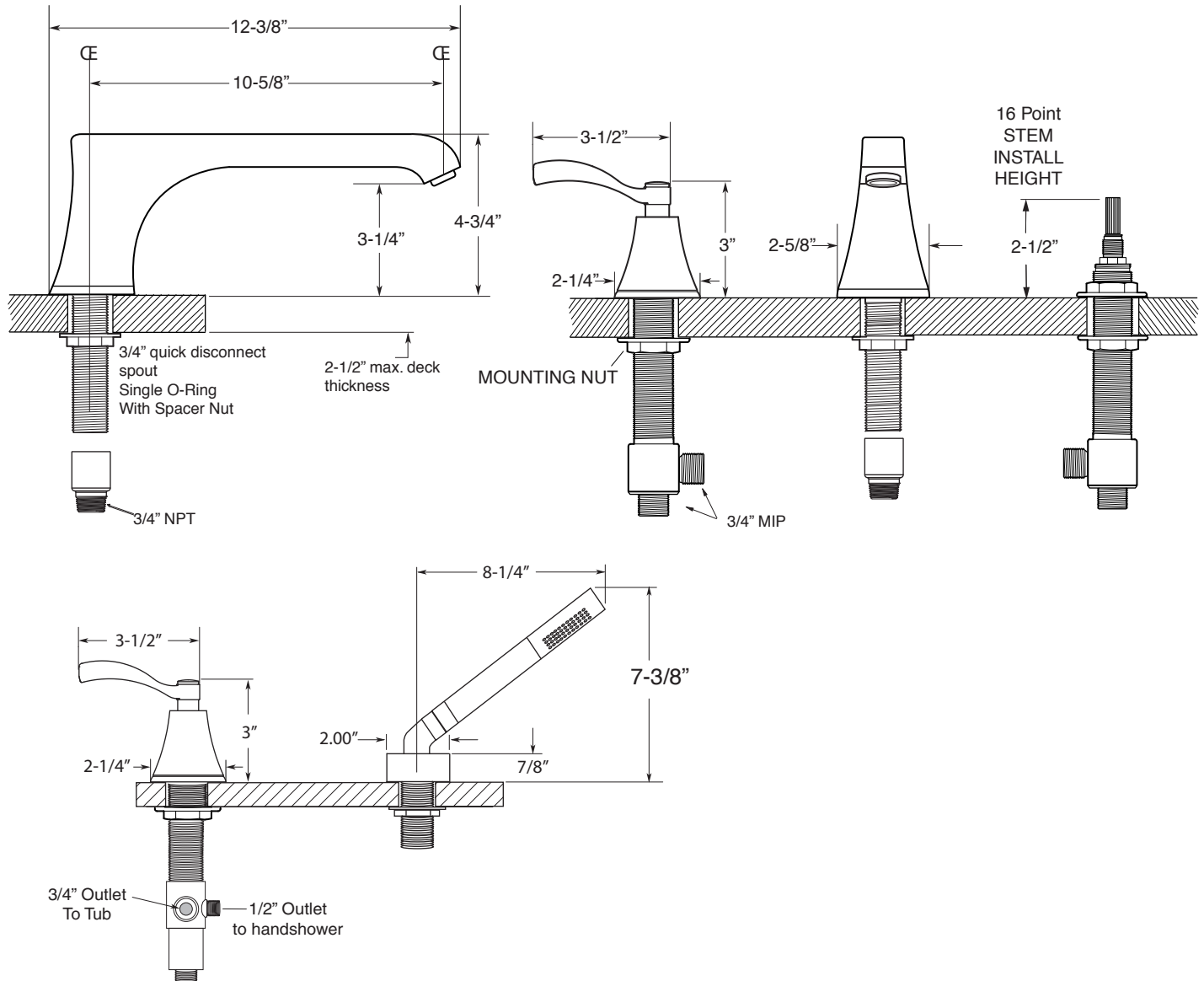
# SPECIFICATIONS

## 510 Series 5-Hole Roman Tub Set with Maya Handles

1.518093

1.518093T - Trim Only

18.30.134 - Rough Kit



Note: Measurements are subject to change or cancellation. No responsibility is assumed for use of superseded or voided pages.