

Installation Notes:

- Roman tub hot and cold supply valves require 1-1/4" holes in the deck. Install hot and cold valves using mounting nuts and adjust the valve height so that Measurement A is as shown in the chart below. Measurement A differs by handle selection.
- Test the chosen height by temporarily placing the handle pieces over the valve. After you have checked the fit, remove handle pieces and tighten mounting nuts with wrench. Some escutcheons serve as the top mounting nut.
- Remount handle pieces. Handle should open and close in a 1/4 turn.
- **It is recommended that you plumb supply lines to the valve bodies and all other connections using 3/4" L-soft copper tubing. Apply teflon tape to threaded areas if applicable. Be sure to check system for leaks, testing valves and lines before closing the deck. Always flush lines of debris.**

Hot Supply Valves:

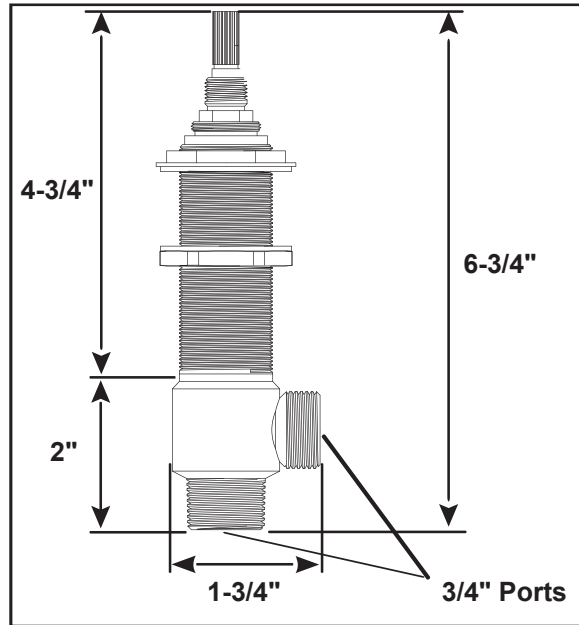
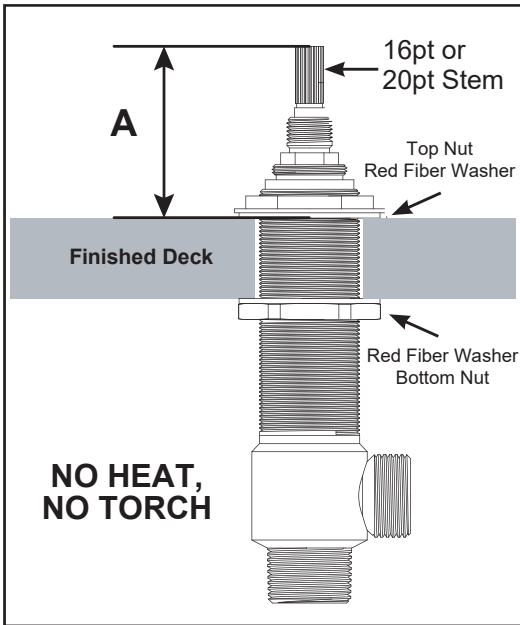
18.30.016 (16pt)

78.30.016 (20pt)

Cold Supply Valves:

18.30.015 (16pt)

78.30.015 (20pt)



**Replacement
Cartridges:**

18.30.016 (16pt)

Cartridge 18.30.018

78.30.016 (20pt)

Cartridge 18.30.011

18.30.015 (16pt)

Cartridge 18.30.017

78.30.015 (20pt)

Cartridge 18.30.010

Handle Chart

Measurement A

Group 1 (20pt Only) Carina (28), Carina X (30), Ceres II (50), Nova II (48), Polaris II (49), Prana (92), Stella (07), Stella X (08), Capella (97), Capella X (98), Tribeca (29), Tribeca X (39)	1-1/2"
Group 2 (16pt & 20pt) 16pt: Aria (01), Ascot (77), Seville (12), Sussex (78), Waldorf (76) 20pt: Lisse (83), Regent (53), Regent X (54), Tremont (61)	1-3/4"
Group 3 (16pt Only) Palermo (44)	2"
Group 4 (16pt Only) Bordeaux (64), Devon (45), Georgian (41), Huntington (27), Jefferson Elite (02), Loire (56), Luxembourg (65), Madison Elite (40), Monte Carlo (59), Orleans (57), St. Michel (55), Toronto (20), Venezia (25)	2-1/4"
Group 5 (16pt Only) Salem (09), Windham (10)	2-3/8"
Group 6 (16pt Only) Charlotte (04), Charlotte Elite (05), Lexington (03), Lira (82), Mallorca (75), Maya (80), Moderne (93), Moderne X (94), New Hampton (43), Portsmouth (06), Valencia (74)	2-1/2"
Group 7 (16pt Only) Harlow (60)	2-5/8"
Group 8 (16pt Only) Alexandria (14), Chicago (85), Hampshire (13), Houston (81), Montreal (17)	2-3/4"
Group 9 (16pt Only) Siena (79)	3"