

Installation Notes:

1. Lavatory hot and cold supply valves require 1-1/4" holes in the deck. Handles are shipped pre-assembled to valves; remove the handle pieces and the top locking nut to begin. Some escutcheons may be used as the top locking nut.
2. Install hot and cold valves from underneath the deck using locking nuts and adjust the valve height so that Measurement A is as shown in the chart below. Measurement A differs by handle selection. Valve bodies have stickers to distinguish hot (red) from cold (blue).
3. Test the chosen height by temporarily placing the handle pieces over the valve. After you have checked the fit, remove handle pieces and tighten the locking nuts with a wrench.
4. Remount handle pieces. Handle should open and close in a 1/4 turn.
5. Connect the stainless steel braided hoses from the tee to the outlets of the supply valves. Carefully hand-tighten hose, as the use of grippers and excessive force will break the seal. After flushing all lines, install the connections from the angle stops to the supply valve inlets (plumber supplies connections).

Hot Supply Valves:

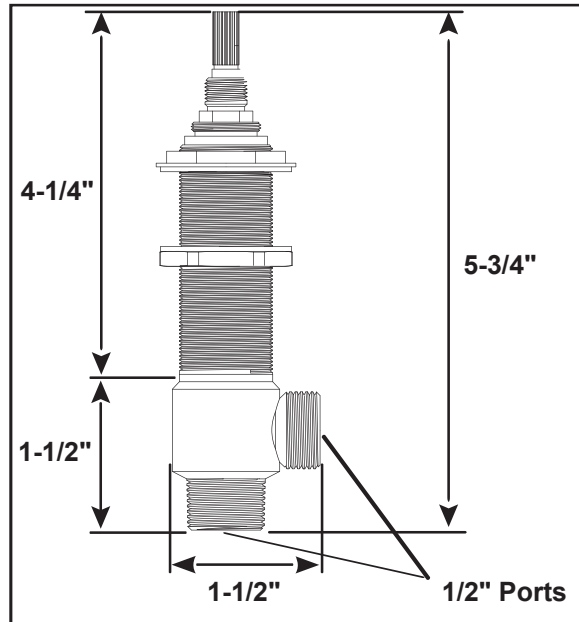
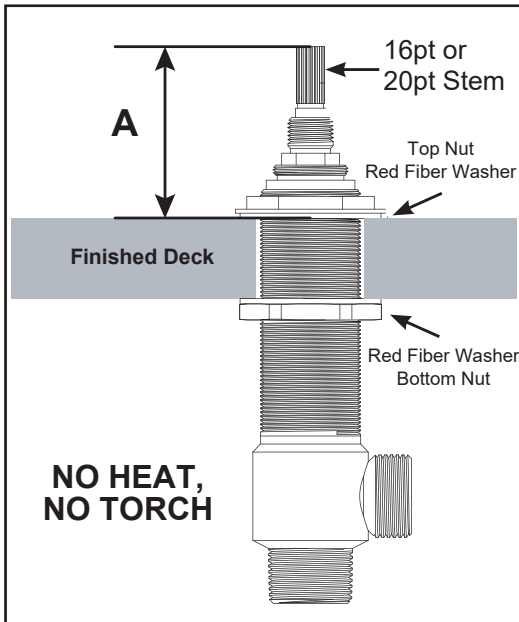
18.30.002 (16pt)

78.30.002 (20pt)

Cold Supply Valves:

18.30.001 (16pt)

78.30.001 (20pt)



Replacement Cartridges:

18.30.002 (16pt)

Cartridge 18.30.030

78.30.002 (20pt)

Cartridge 18.30.036

18.30.001 (16pt)

Cartridge 18.30.029

78.30.001 (20pt)

Cartridge 18.30.035

Handle Chart

M. A

Group 1 (20pt Only): Carina (28), Carina X (30), Ceres II (50), Nova II (48), Polaris II (49), Prana (92), Stella (07), Stella X (08), Capella (97), Capella X (98), Tribeca (29), Tribeca X (39)	1-1/2"
Group 2 (16pt/20pt): 16pt: Aria (01), Ascot (77), Seville (12), Sussex (78), Waldorf (76) 20pt: Lisse (83), Regent (53), Regent X (54), Tremont (61)	1-3/4"
Group 3 (16pt Only): Palermo (44)	2"
Group 4 (16pt Only): Bordeaux (64), Devon (45), Georgian (41), Huntington (27), Jefferson Elite (02), Loire (56), Luxembourg (65), Madison Elite (40), Monte Carlo (59), Orleans (57), St. Michel (55), Toronto (20), Venezia (25)	2-1/4"
Group 5 (16pt Only): Salem (09), Windham (10)	2-3/8"
Group 6 (16pt Only): Charlotte (04), Charlotte Elite (05), Lexington (03), Lira (82), Mallorca (75), Maya (80), Moderne (93), Moderne X (94), New Hampton (43), Portsmouth (06), Valencia (74)	2-1/2"
Group 7 (16pt Only): Harlow (60)	2-5/8"
Group 8 (16pt Only): Alexandria (14), Chicago (85), Hampshire (13), Houston (81), Montreal (17)	2-3/4"
Group 9 (16pt Only): Siena (79)	3"