

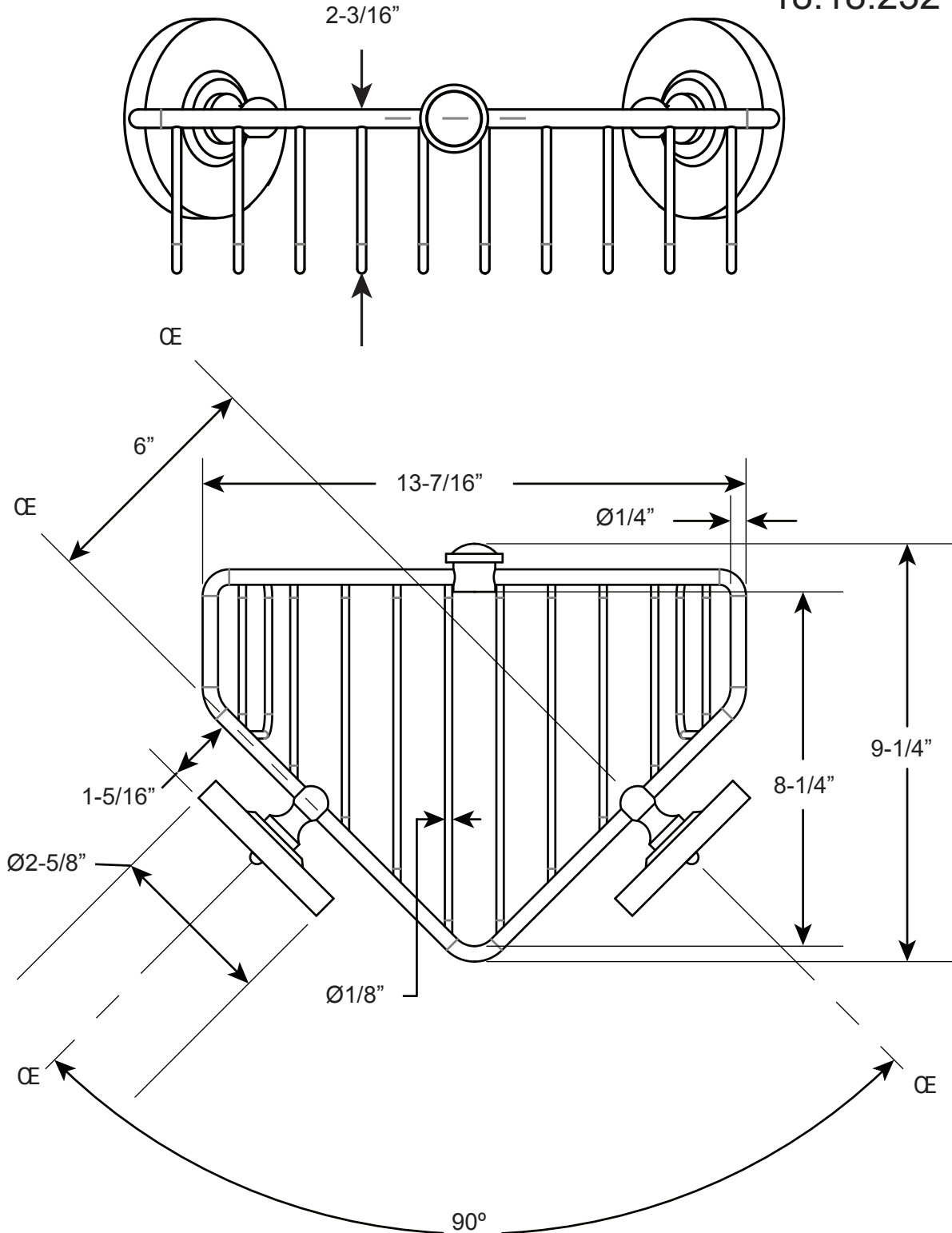
FEATURES:

- Forged brass construction.
- Ceramic button available on request

**SPECIFICATIONS**

Deluxe Corner Basket

18.18.232



Note: Measurements are subject to change or cancellation. No responsibility is assumed for use of superseded or voided pages.