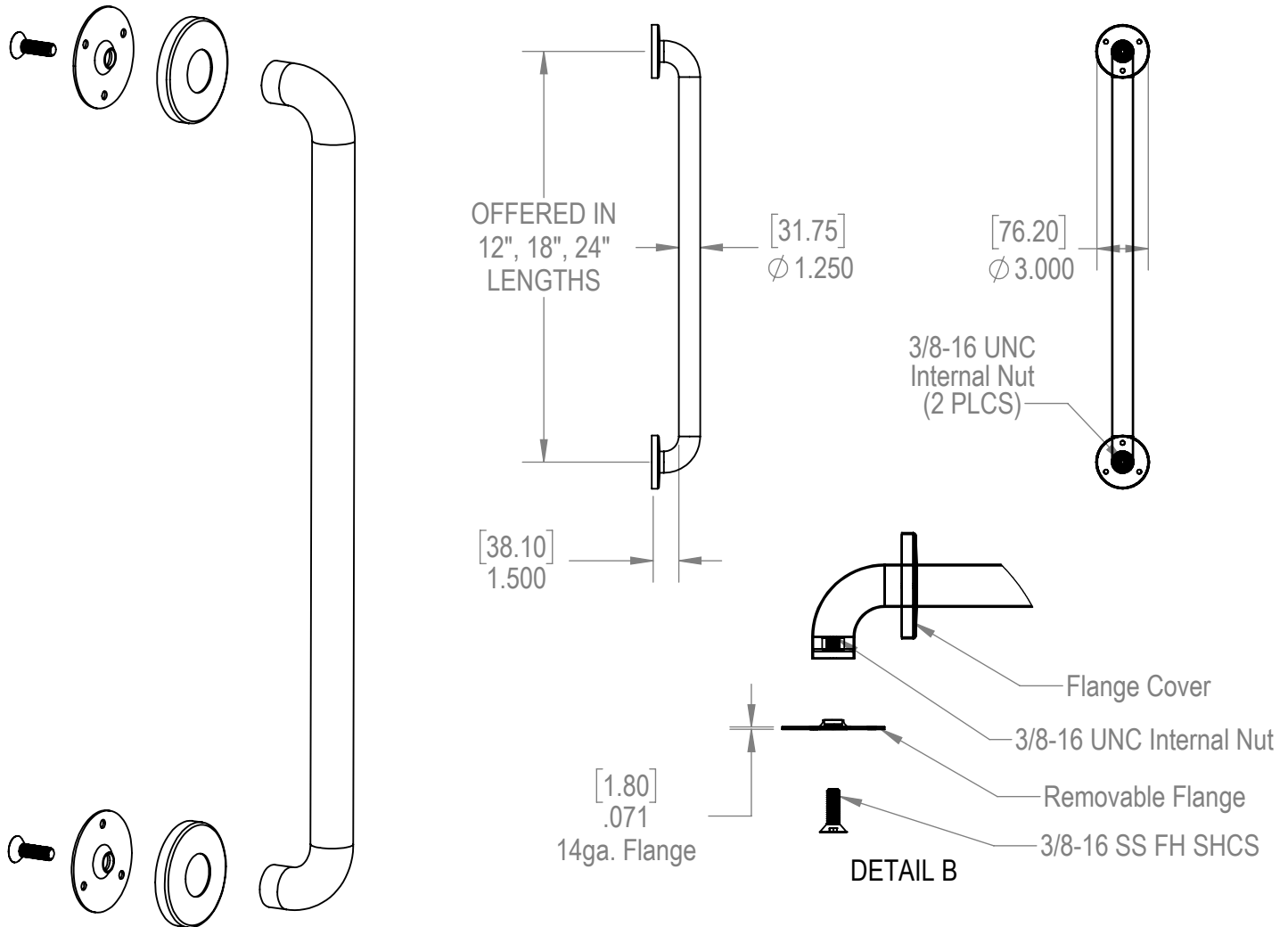
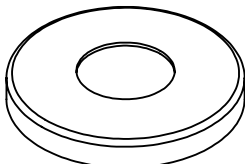
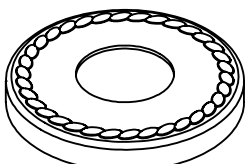
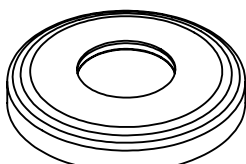


FEATURES:

- All grab bars offered by SIGMA are made of 18 Gauge (0.049") tubular brass and/or #304 stainless steel. Wall flanges are Snap-On concealed, 3" diameter.
- All bars, when properly installed by a professional contractor, will exceed the Federal Weight Load requirements of 250 lb/f (pounds of force). Mounting hardware provided by installer.
- All bars comply with ADA, FHA, VA and HUD requirements and specifications when properly installed. All bars comply with Federal Specifications WW-P-541/8b, Amendment 1, 16 April 1990 and ANSI 117.1



	PLAIN FLANGE		ROPE FLANGE		STEP FLANGE
	18.10.400 (12") 18.10.401 (18") 18.10.402 (24")		18.10.406 (12") 18.10.407 (18") 18.10.408 (24")		18.10.418 (12") 18.10.419 (18") 18.10.420 (24")

*** CUSTOM FLANGES CAN BE CREATED AT ADDITIONAL COST **

Note: Measurements are subject to change or cancellation. No responsibility is assumed for use of superseded or voided pages.