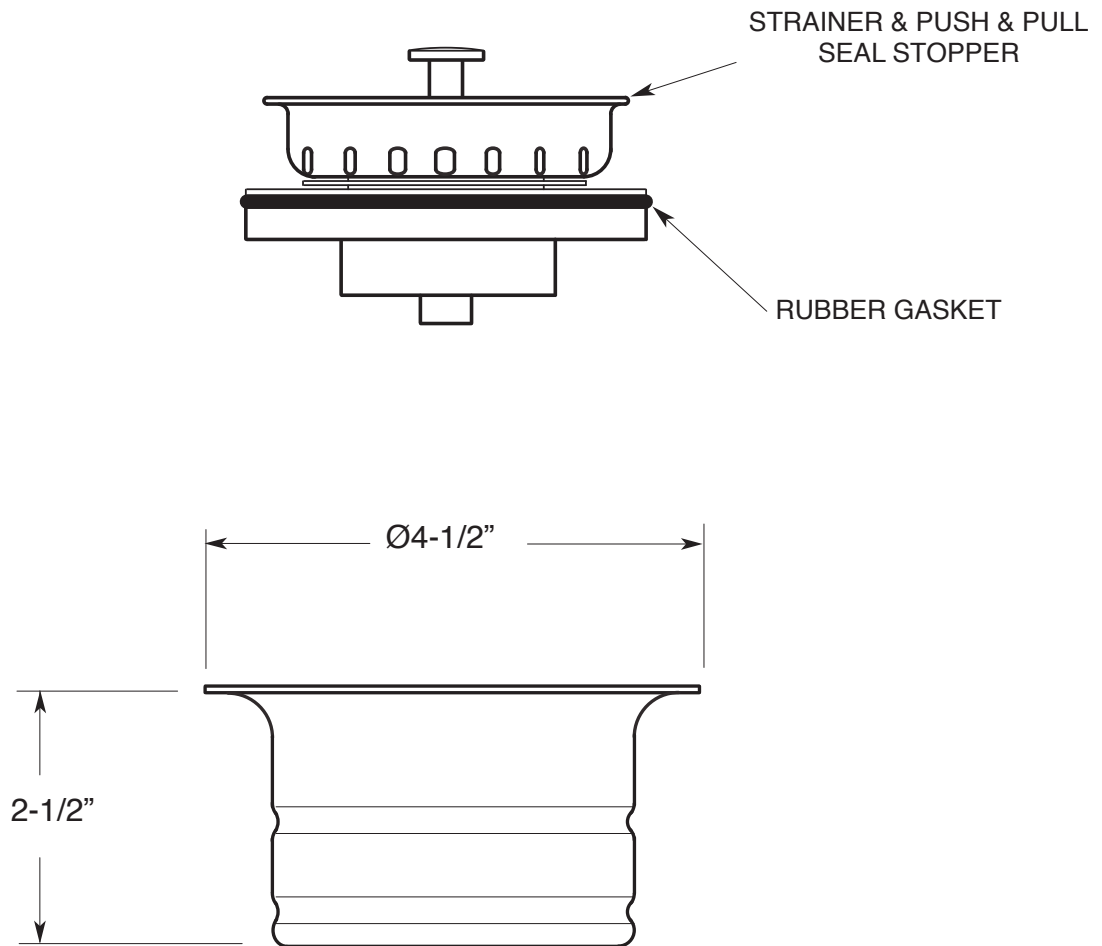


FEATURES:

- Stainless Steel construction body
- Use mounting hardware supplied with garbage disposal.
- Not available in all Sigma finishes- see Customer Service for finish options
- Maximum deck thickness: 2.00"
- 3-1/2" to 4.00" diam. mounting hole required

3-1/2" Fireclay-Type
Application & ISE-Type
Disposer Stopper & Strainer

APS.11.362



Note: Measurements are subject to change or cancellation. No responsibility is assumed for use of superseded or voided pages.