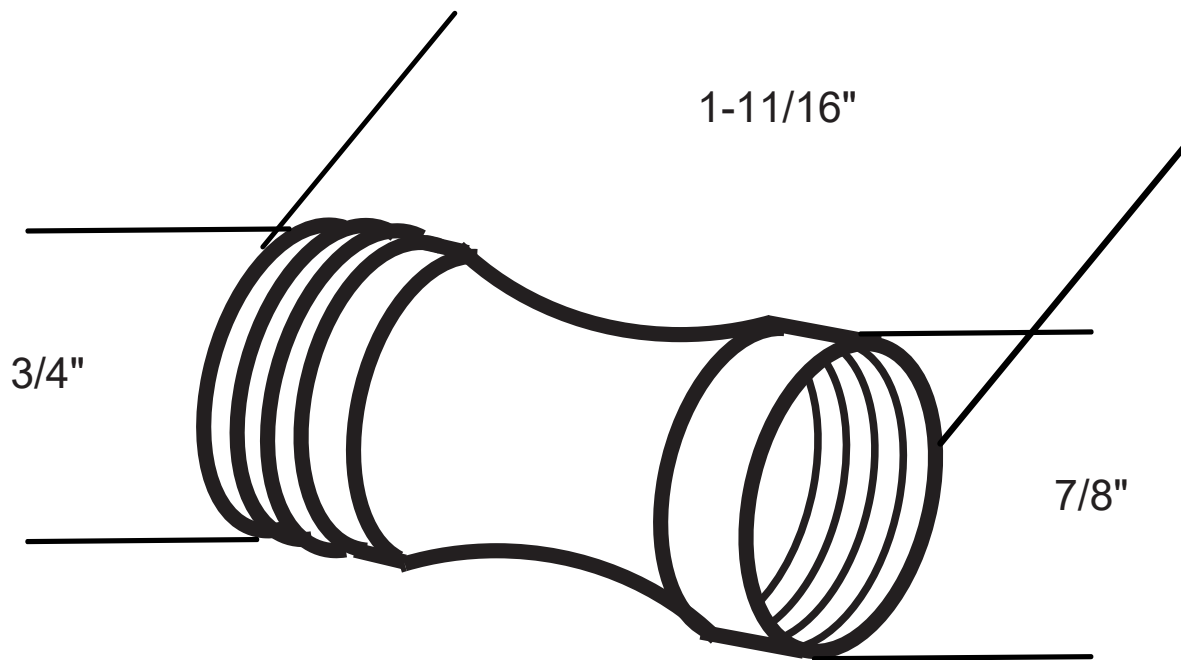


Dual Check Valve

18.15.056



Note: Measurements are subject to change or cancellation. No responsibility is assumed for use of superseded or voided pages.