

## E-Mini Thermostatic Trim W/ Rectangular Plate and Maya Handle

### 1.0S8051T

E-Mini Rectangular  
Plate w/Integral Control  
**18.12.135**

Volume/Diverter  
Lever Assembly  
**18.12.817**

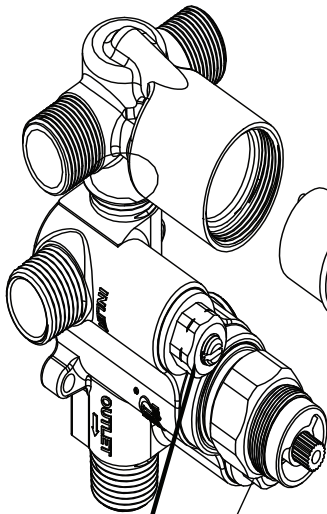
Escutcheon  
**18.03.079**

Handle Assembly  
**18.01.175**

E-Mini Thermostatic Valve  
**18.30.292/18.30.291**

Diverter/Shutoff Cartridge  
**18.30.903**

Button Only  
**18.01.180**



Thermostatic  
Cartridge  
**18.30.294**

In-Wall Stem  
Bushing

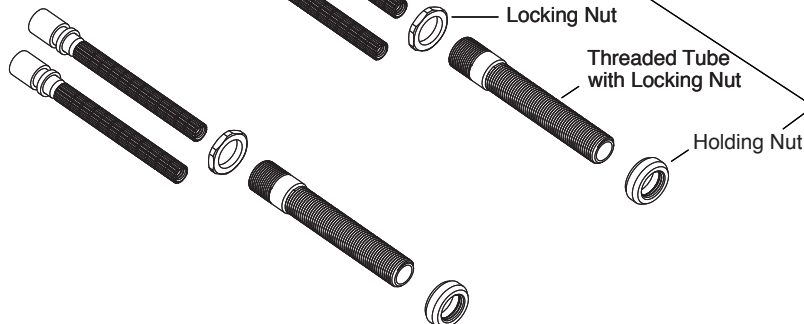
Stem Extensions  
16PT and 20PT

[2] Sent with Valve  
**00.41.014**

Locking Nut

Threaded Tube  
with Locking Nut

Holding Nut



Screw Driver Check Valve

**18.30.883A (Hot)**  
**18.30.884A (Cold)**