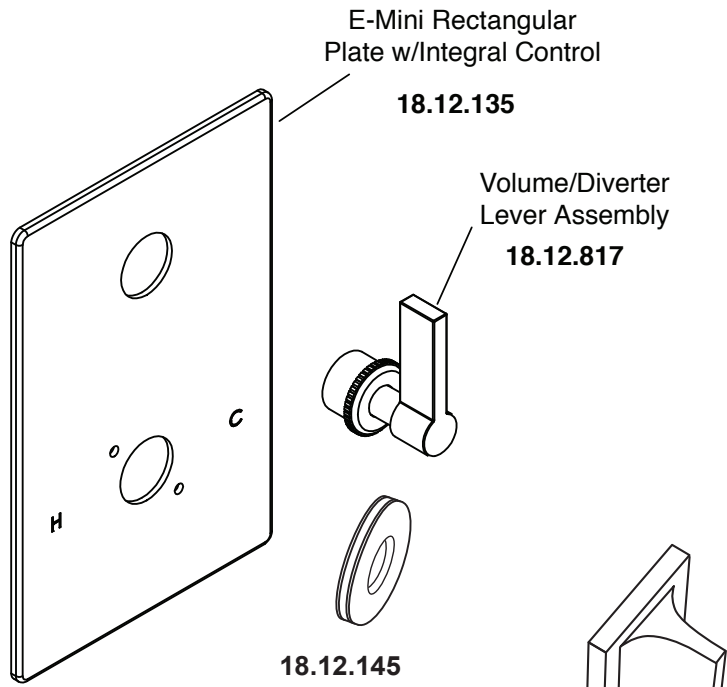


## E-Mini Thermostatic Trim W/ Rectangular Plate and Nuance Handle

### 1.0S3851T



E-Mini Rectangular  
Plate w/Integral Control

**18.12.135**

Volume/Diverter  
Lever Assembly

**18.12.817**



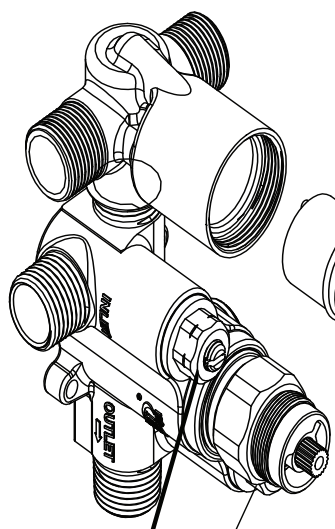
**18.12.145**

Shower Handle Mount



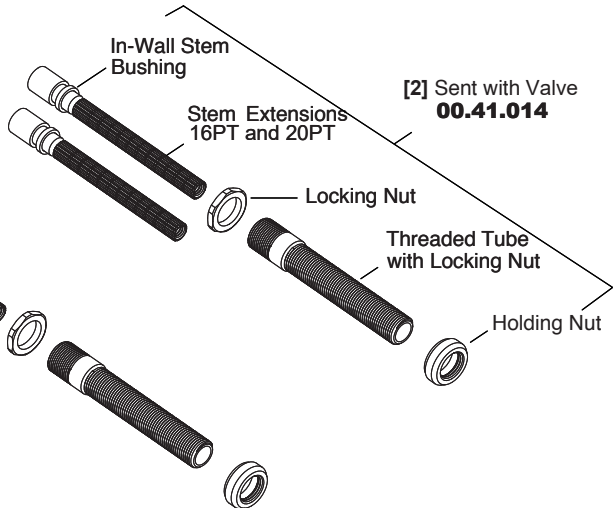
Handle Assembly **18.01.096**

E-Mini Thermostatic Valve  
**18.30.292/18.30.291**



Diverter/Shutoff Cartridge  
**18.30.903**

Thermostatic  
Cartridge  
**18.30.294**



In-Wall Stem  
Bushing

Stem Extensions  
16PT and 20PT

[2] Sent with Valve  
**00.41.014**

Locking Nut

Threaded Tube  
with Locking Nut

Holding Nut

Screw Driver Check Valve  
**18.30.883A (Hot)**  
**18.30.884A (Cold)**