

## E-Mini Thermostatic Trim W/ Rectangular Plate and Stixx Handle

### 1.0S9551T

E-Mini Rectangular  
Plate w/Integral Control

**18.12.135**

Volume/Diverter  
Lever Assembly

**18.12.817**

**18.12.145**

Shower Handle Mount

**18.01.149**

Handle assembly

E-Mini Thermostatic Valve

**18.30.292/18.30.291**

Diverter/Shutoff Cartridge

**18.30.903**

Thermostatic  
Cartridge

**18.30.294**

In-Wall Stem  
Bushing

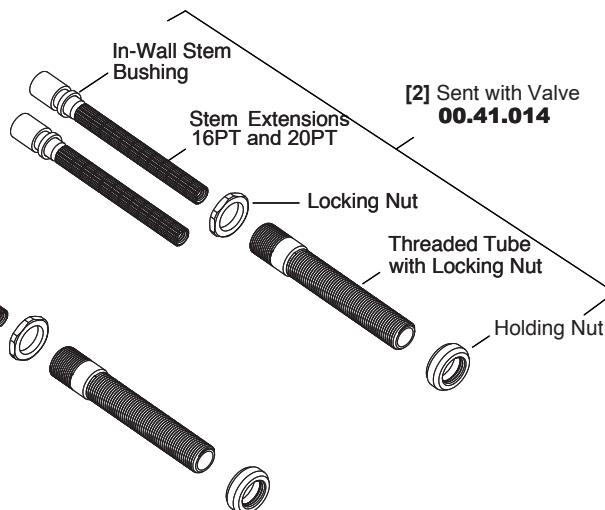
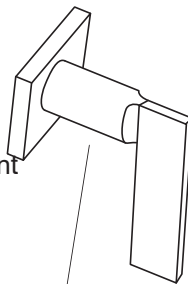
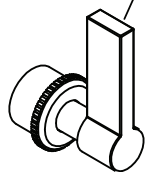
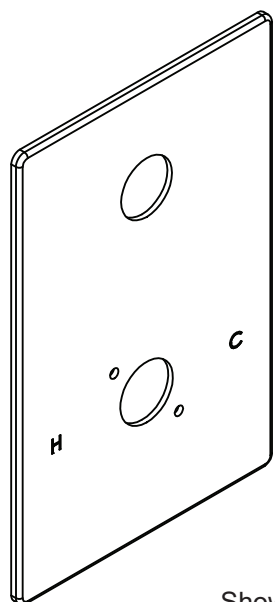
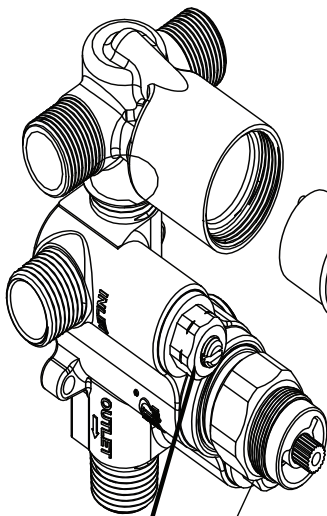
Stem Extensions  
16PT and 20PT

[2] Sent with Valve  
**00.41.014**

Locking Nut

Threaded Tube  
with Locking Nut

Holding Nut



Screw Driver Check Valve

**18.30.883A (Hot)**  
**18.30.884A (Cold)**