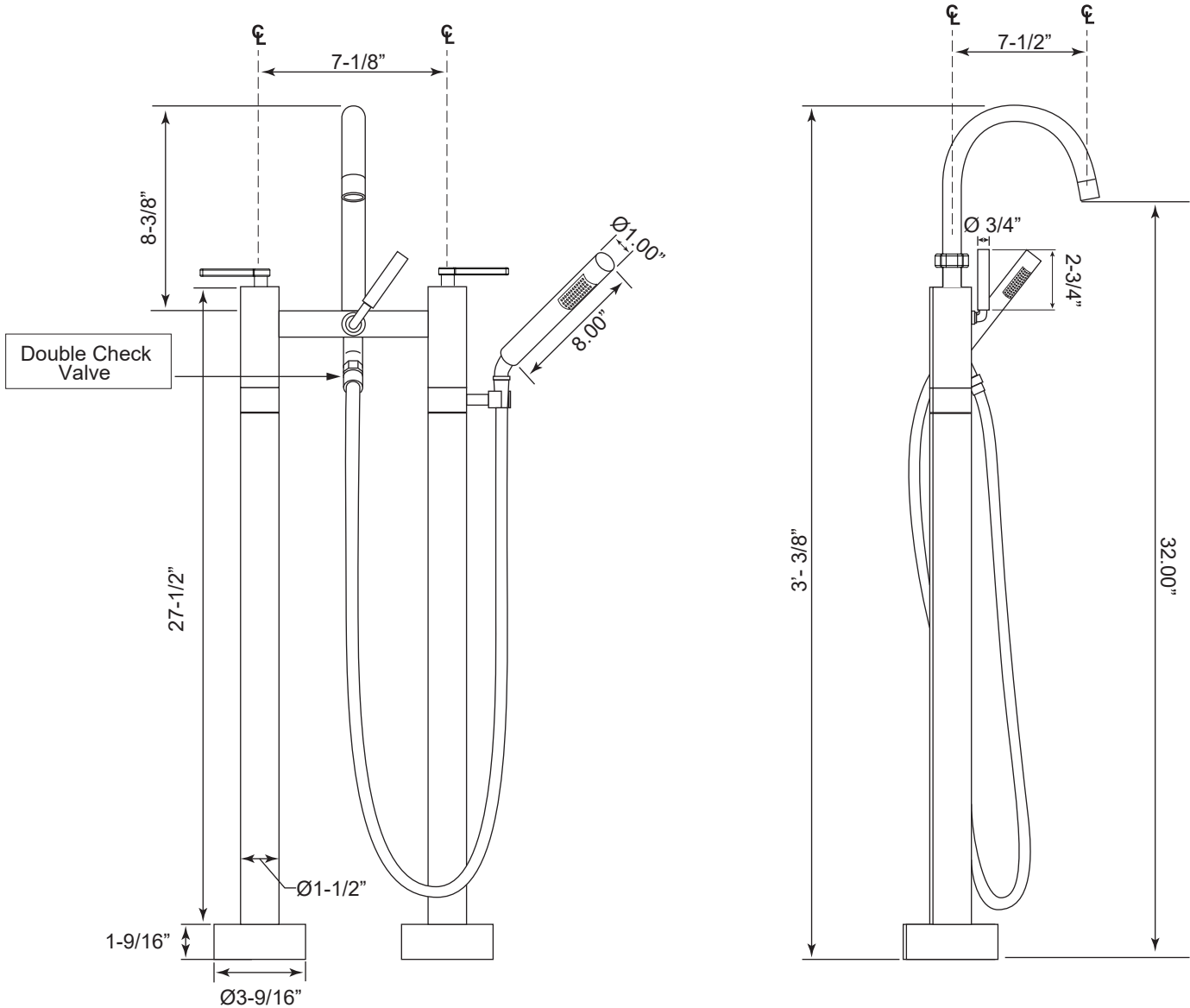


**FEATURES:**

- All brass construction.
- Available in all Sigma finishes
- Rough kit P/N 18.30.227
- Replacement cartridges:  
18.30.303 - COLD / 18.30.302 - HOT
- Flow rate 7.5 gpm / 45 psi

Contemporary Floormount  
Tub Filler with Handshower  
and Capella Handles

**1.0097520**



Note: Measurements are subject to change or cancellation. No responsibility is assumed for use of superseded or voided pages.