

# TechData

## SPECIFICATIONS

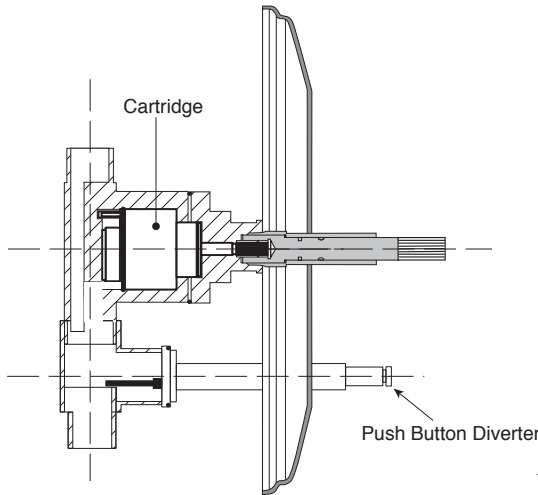
# Series 200

Features:

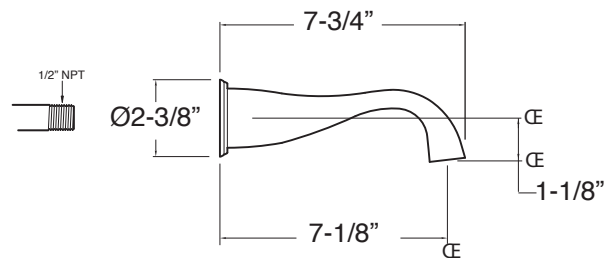
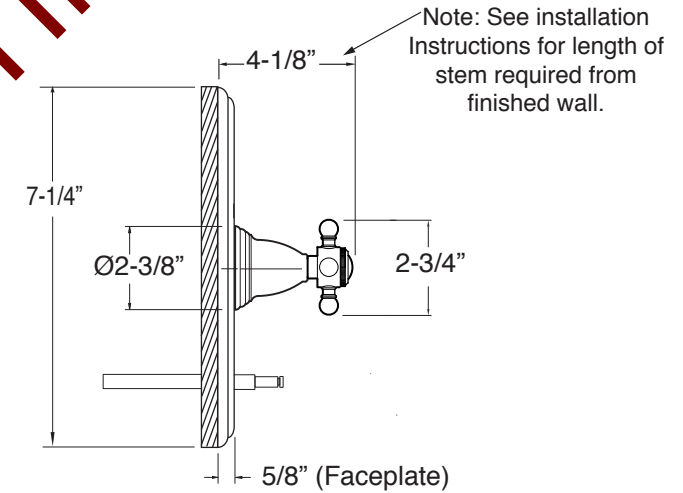
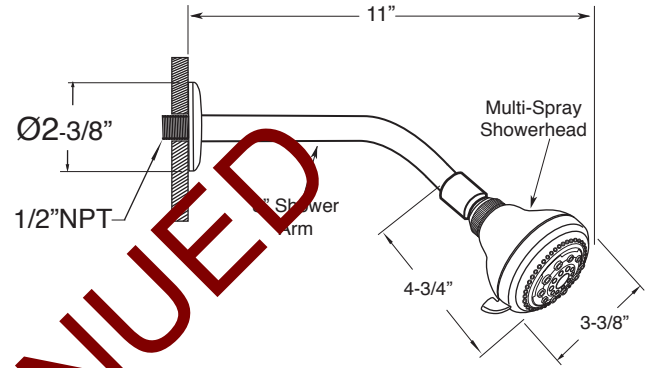
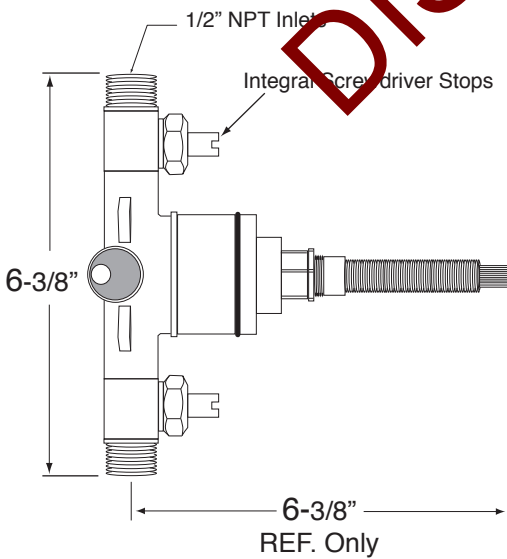
- Forged brass construction
- Ceramic disk valve cartridge 18.30.865
- Adjustable hot limit safety stop
- Reversible cartridge
- 5.6 GPM @ 45 PSI

Pressure Balance Tub & Shower  
1.201468  
Alexandria Handle  
(1.201468T - Trim Only)

Cutaway View



Top View



Note: Measurements are subject to change or cancellation. No responsibility is assumed for use of superseded or voided pages.