

FEATURES:

- All brass construction.
- 3/4" valve bodies with 20 PT. 1/4-turn ceramic disc cartridge.
  - Cold Cartridge 18.30.010, Hot Cartridge 18.30.011
- Available in all finishes. Warranty varies according to finish.

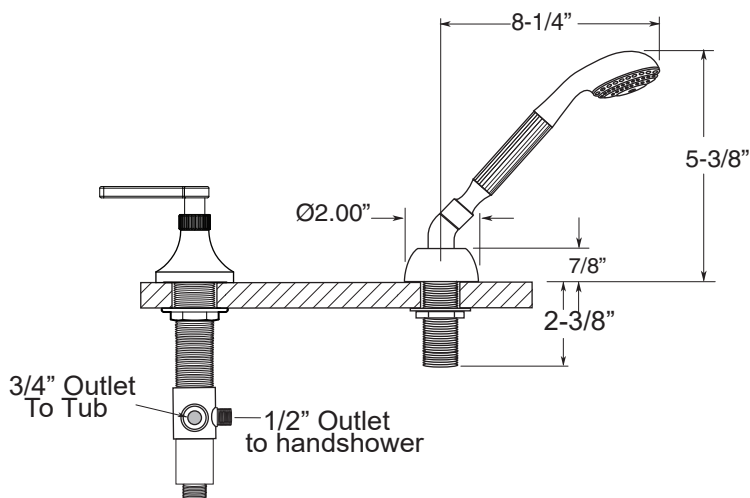
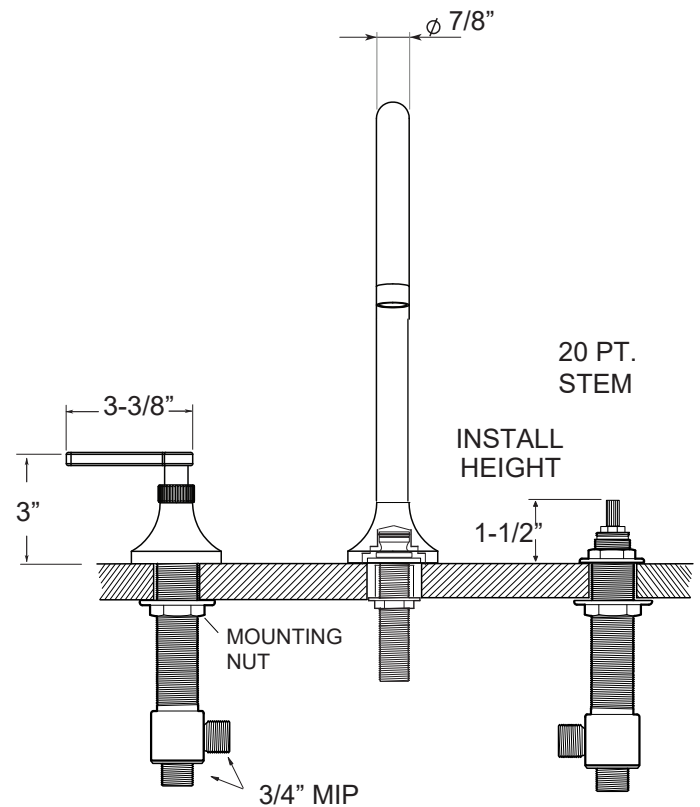
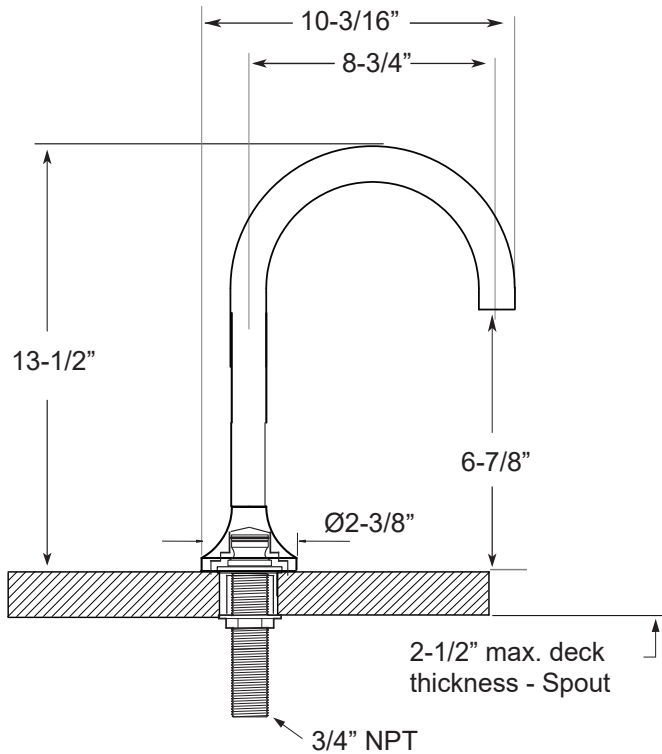
## SPECIFICATIONS

### 110 Series 5-Hole Roman Tub Set with Stella Handles

1.110793

1.110793T - Trim Only

78.30.411 - Rough Kit



Spout and valves install through 1-1/4" diameter holes.  
Diverter valve installs through 1-1/2" diameter holes.  
Plumber to provide 3/4" supply lines to valves

NOTE: 1/2" outlet for in-line double check valve (18.15.055), and 60" chrome spiral hose (18.10.016) - INCLUDED

Note: Measurements are subject to change or cancellation. No responsibility is assumed for use of superseded or voided pages.