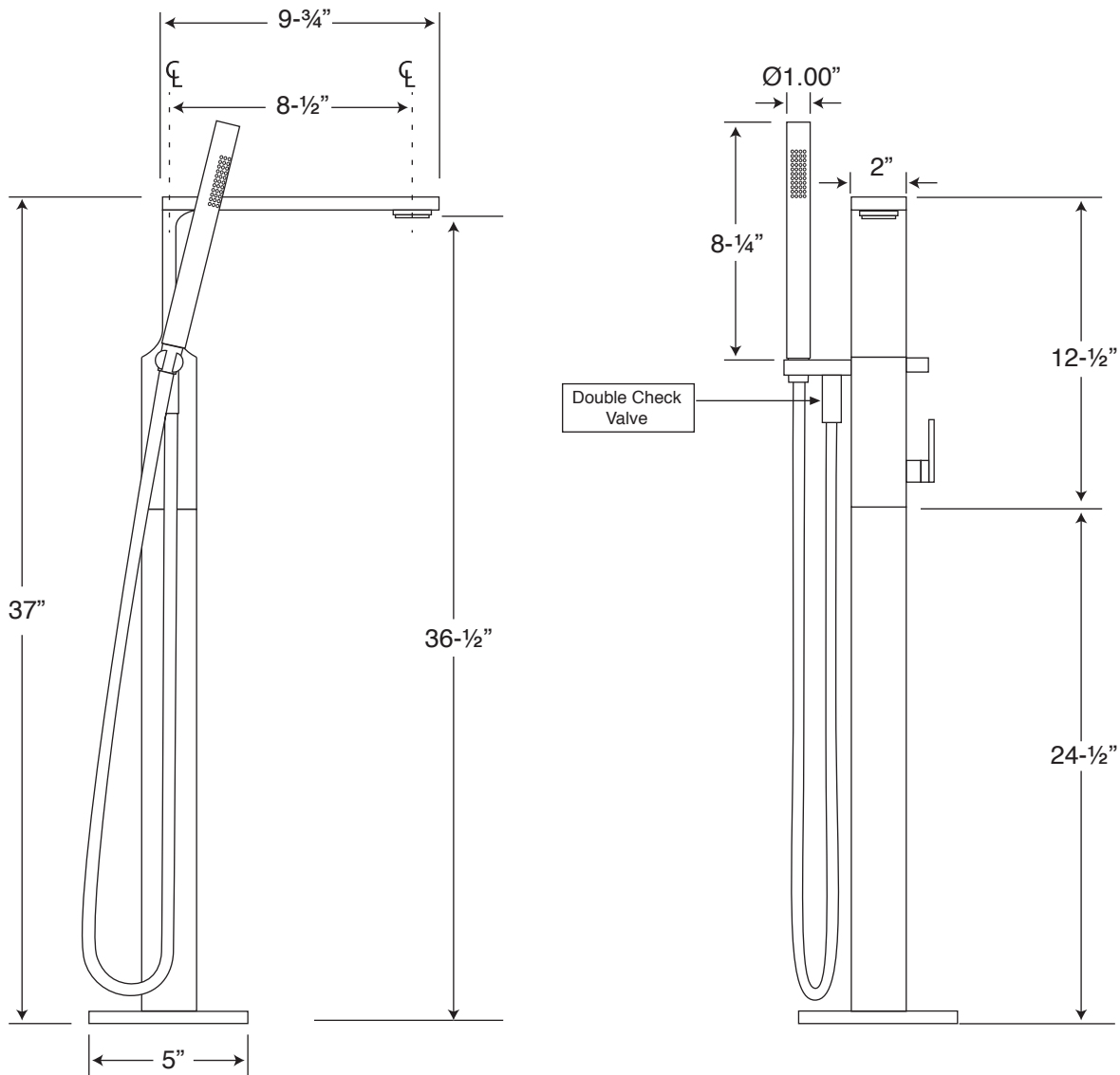


**FEATURES:**

- All brass construction
- Available in all finishes
- Warranty varies according to finish selection
- Rough kit P/N: 18.30.407
- Flow rate: 8 gpm
- Certified to meet or exceed the following codes and standards:  
ASME A112.18.1/CSA B 125.1-2012

**Floormount Tub Filler  
w/Handshower**

1.2300530  
(1.2300530T - Trim Only)



Note: Measurements are subject to change or cancellation. No responsibility is assumed for use of superseded or voided pages.