

FEATURES:

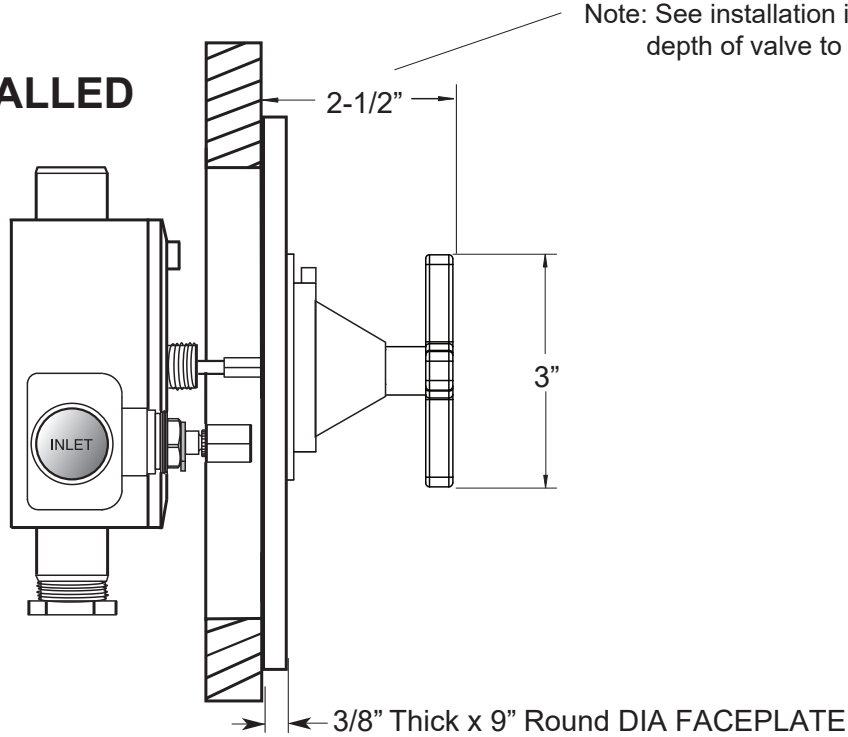
- Cast brass construction
 - 3/4" Thermostatic valve w/Integral Stops: 18.30.171
 - Thermostatic valve cartridge with cover plate: 18.30.147
 - Thermostatic reverse cartridge with cover plate: 18.30.161
 - 14.28 GPM @ 56 PSI top exit & 11.00 GPM bottom exit
- NOTE: Separate 3/4" shut offs required to operate system.

**3/4" Deluxe Thermostatic
Shower Set with
Carina X Handle**

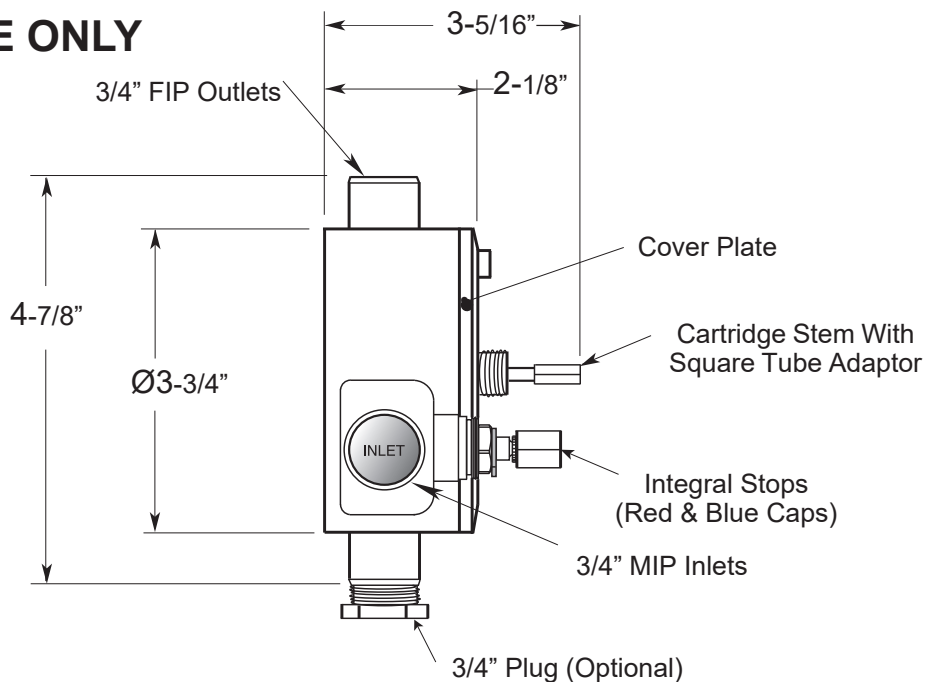
1.083097D

(1.083097DT Trim Only)

SIDE VIEW - INSTALLED



SIDE VIEW - VALVE ONLY



Note: Measurements are subject to change or cancellation. No responsibility is assumed for use of superseded or voided pages.