



ROMAN TUB SET

INSTALLATION INSTRUCTIONS 3-HOLE AND 5-HOLE APPLICATIONS

LEAVE THIS PACKET FOR THE HOME OWNER

CARE INSTRUCTIONS

To ensure your product's longevity, please follow these care instructions:

Wipe fitting with a clean, soft, damp cloth and blot dry as often as possible. Clean filters and aerators periodically to assure proper operation. Occasionally apply a non-abrasive polish to prevent water deposits and remove build-up of household soaps, creams, and sprays to all finishes except naturally aging finishes (E.g. Oil-Rubbed Bronze).

NEVER use abrasive cleaners or pads, or chemical cleaners of any kind (including window cleaner) on any product with a protective coating or custom finish. Such cleaners will attack the protective coating and their use will VOID the finish warranty.

Valve Care:

Your 1/4 turn ceramic cartridge will provide you with a lifetime of unflinching service, when cared for properly. The most common valve problem is a result of debris in the water line, such as sand, silt, solder, metal shavings, lime deposits, or other foreign particles. Debris can become lodged between the ceramic discs and result in improper functioning of the open/close action of the valve. Particles can even cause cracks in the discs and render the cartridge useless.

CAUTIONS

- Lay all parts carefully on a soft cloth to avoid damage during construction and installation.
- Before removing old faucet, turn off water and open lines to reduce water pressure and ensure that the water has been completely shut off.
- Before installing new faucet, carefully flush all water lines.
FAILURE TO DO SO MAY DAMAGE INTERNAL PARTS.
- After installation, remove and clean aerator (if applicable) and flush all water lines again.
- Plumber's putty is not recommended. Caustic substances may harm the finish and/or hamper the product's functionality.
- **CODE REQUIRES AN ACCESS PANEL BE PROVIDED AS PART OF THE ROMAN TUB INSTALLATION. ACCESS PANELS ALLOW FOR EASIER TRIM INSTALLATION, ANY POSSIBLE FUTURE REPAIRS, AND ALL FUTURE MAINTENANCE.**

PLEASE INSPECT PRODUCT PRIOR TO INSTALLING. Carefully review all pre-assembled parts. It will be necessary for the various parts to be re-assembled exactly as shown. **NOTICE:** These instructions do not represent step-by-step directions. They are a product supplement only to be used by a qualified/licensed plumber. We strongly recommend all plumbing fixtures be installed by a professional.

General Installation Instructions:

1. Provide a 1-1/4" hole in the deck for spout. To install the spout, insert injector connector through hole in deck. Injector connector will connect to spout as thread-on or single o-ring (see Fig. 1-1). Place mounting nut over the injector connector and tighten from the underside of deck as shown in Figure 1. For 3-hole units without handshower/diverter, install tee connection as shown in Figure 2.
2. Provide 1-1/4" holes for hot and cold supply valves. Install hot and cold valves using mounting nuts and adjust the valve height so that Measurement A is as shown in the chart on Pg. 4 (Figure 3). Measurement A differs by handle selection. ***For 5-hole units with handshower/diverter, instructions to install the diverter and handshower are on Pg. 3
3. Test the chosen height by temporarily placing the handle pieces over the valve. After you have checked the fit, remove handle pieces and tighten mounting nuts with wrench.
4. Remount handle pieces. Handle should open and close in a 1/4 turn.

It is recommended that you plumb supply lines to the valve bodies and all other connections using 3/4" L-soft copper tubing. Apply teflon tape to threaded areas if applicable. Be sure to check system for leaks, testing valves and lines before closing the deck. Always flush lines of debris.
CODE REQUIRES AN ACCESS PANEL BE PROVIDED AS PART OF THE ROMAN TUB INSTALLATION PROCESS TO ALLOW FOR FUTURE MAINTENANCE.

*Trim and Handle Assembly will vary

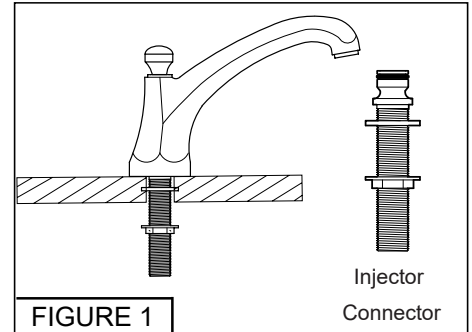
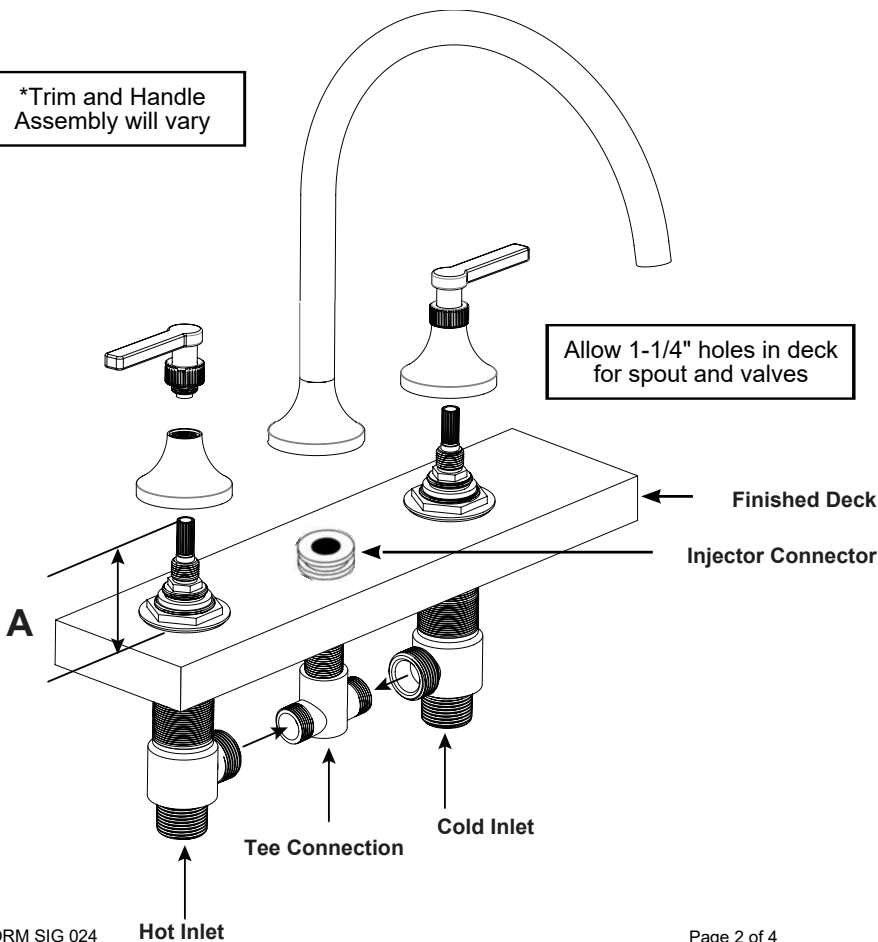


FIGURE 1

THREAD-ON SINGLE O-RING

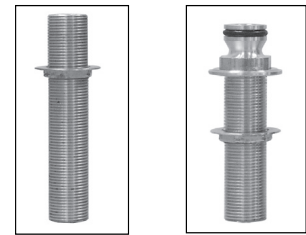


FIG.1-1

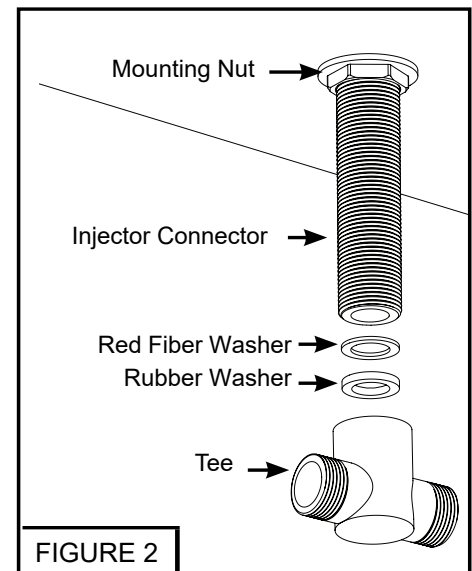


FIGURE 2

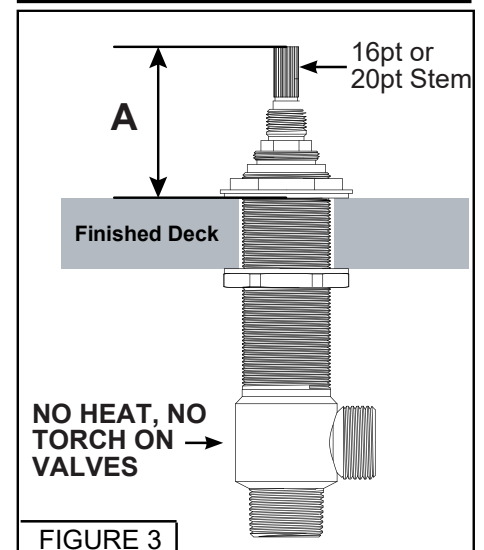


FIGURE 3

Diverter/Handshower Installation:

1. Allow 1-1/2" diameter hole in deck for the diverter valve. Un-thread the collar from valve body. Insert valve body from underneath deck and replace collar. The diverter valve should now be flush with the top of the deck. Tighten the valve against the bottom of the deck using the bottom nut. See Figure 4.
2. Install 3/4" tee to bottom inlet of the diverter valve using teflon tape, and connect hot and cold lines as shown below. The tee is not supplied, but available to order separately (model number 18.15.049)
3. Connect the 3/4" supply line to the 3/4" outlet on diverter valve and then to the injector connector for the spout.
4. Allow 1-1/4" hole in deck for the handshower. Install handshower nipple and then trim pieces (base/elbow/wand). Connect the handshower hose to the 1/2" outlet on valve and then to the handshower nipple. See Figure 5 for the handshower explosion and order of operations.
5. Cut the stem and all-thread on the diverter valve per Measurement A from the chart on Pg. 4. Measurement A varies depending on the handle selection. Allow 1/2" of the stem to project above the all-thread. See cut instructions on Pg. 4. STEM AND ALL-THREAD ARE SHIPPED WITH TRIM.

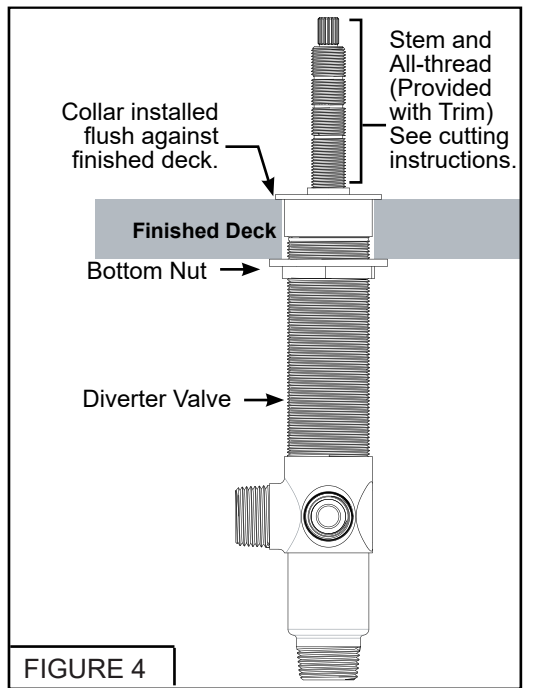


FIGURE 4

*Trim and Handle Assembly will vary

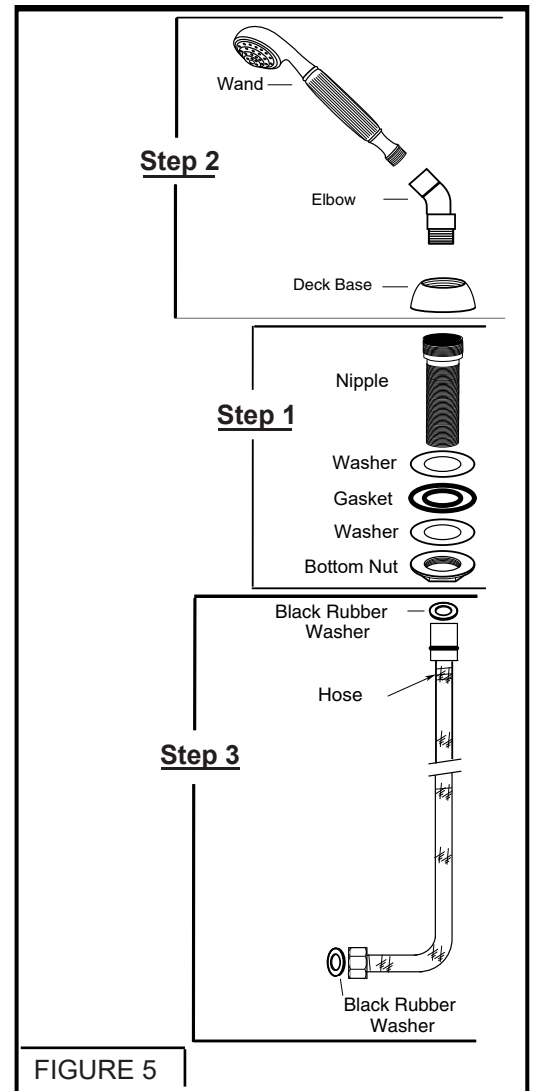
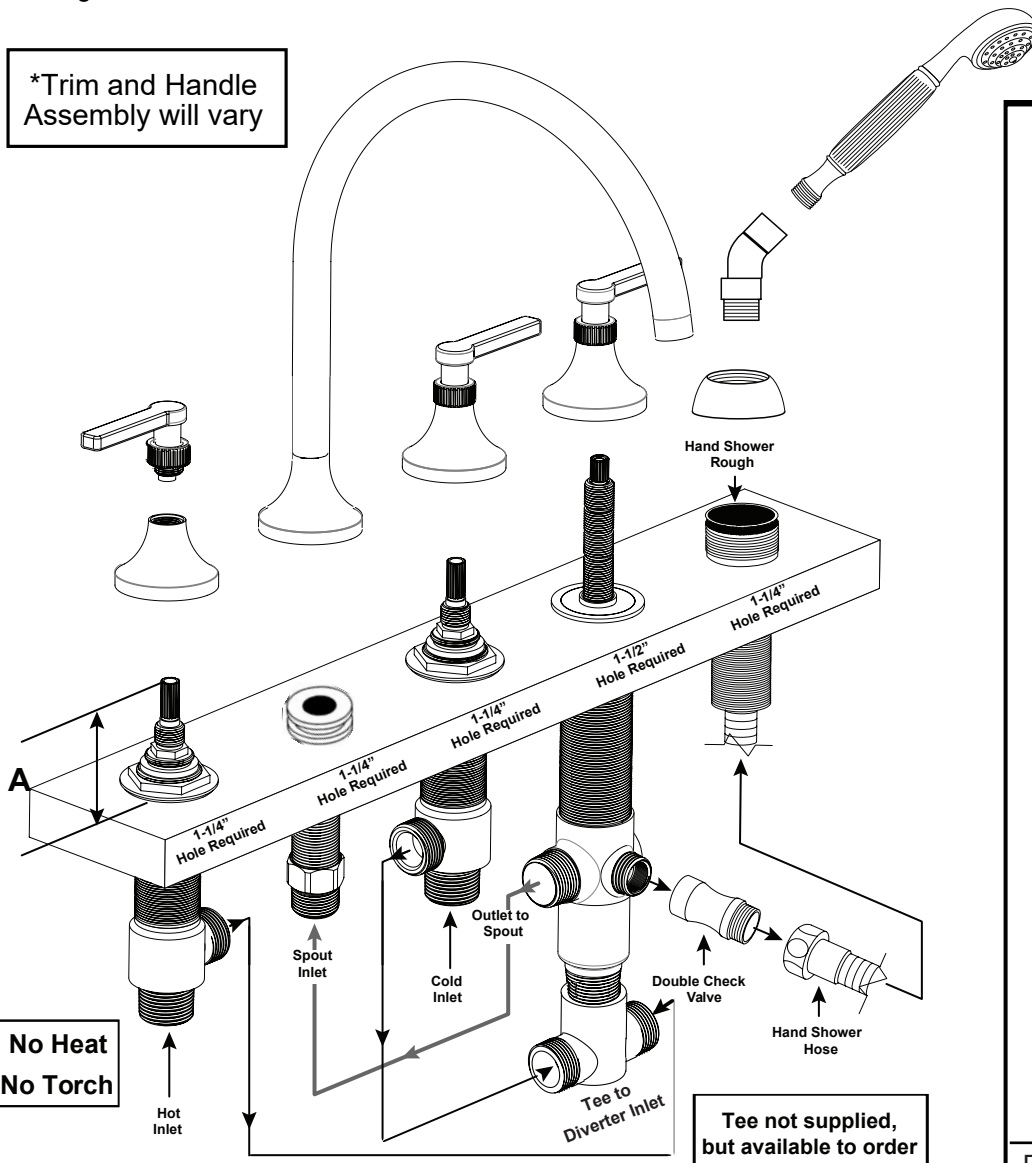


FIGURE 5

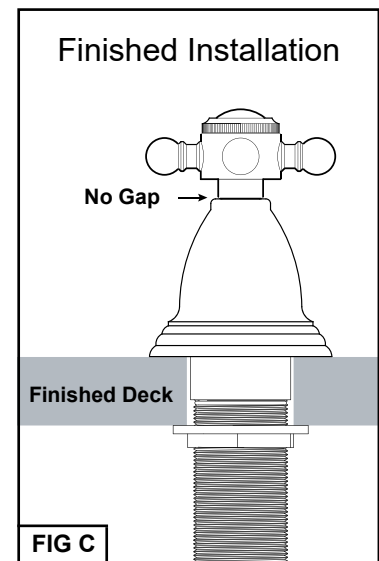
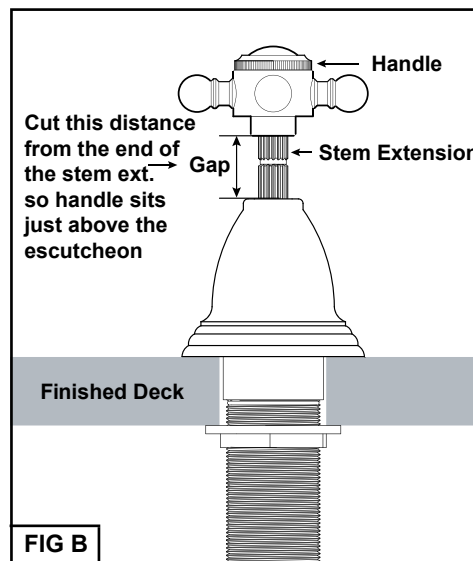
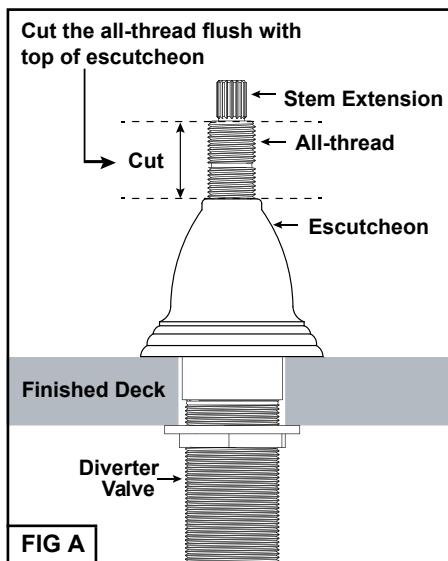
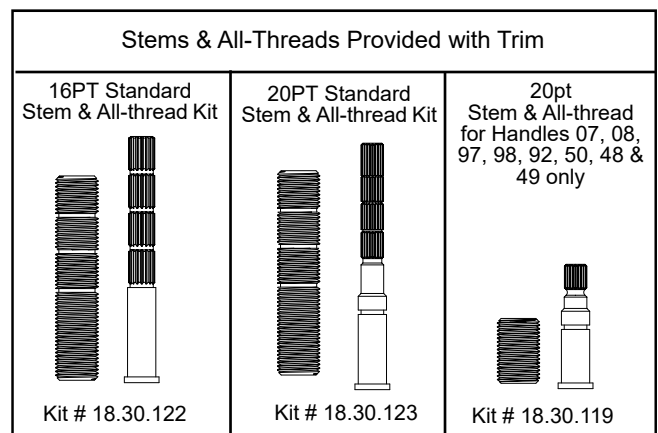
Handle Chart

Measurement A

Group 1 (20pt Only) Carina (28), Carina X (30), Ceres II (50), Nova II (48), Polaris II (49), Prana (92), Stella (07), Stella X (08), Capella (97), Capella X (98), Tribeca (29), Tribeca X (39)	1-1/2"
Group 2 (16pt & 20pt) 16pt: Aria (01), Ascot (77), Seville (12), Sussex (78), Waldorf (76) 20pt: Lisse (83), Regent (53), Regent X (54), Tremont (61)	1-3/4"
Group 3 (16pt Only) Palermo (44)	2"
Group 4 (16pt Only) Bordeaux (64), Devon (45), Georgian (41), Huntington (27), Jefferson Elite (02), Loire (56), Luxembourg (65), Madison Elite (40), Monte Carlo (59), Orleans (57), St. Michel (55), Toronto (20), Venezia (25)	2-1/4"
Group 5 (16pt Only) Salem (09), Windham (10)	2-3/8"
Group 6 (16pt Only) Charlotte (04), Charlotte Elite (05), Lexington (03), Lira (82), Mallorca (75), Maya (80), Moderne (93), Moderne X (94), New Hampton (43), Portsmouth (06), Valencia (74)	2-1/2"
Group 7 (16pt Only) Harlow (60)	2-5/8"
Group 8 (16pt Only) Alexandria (14), Chicago (85), Hampshire (13), Houston (81), Montreal (17)	2-3/4"
Group 9 (16pt Only) Siena (79)	3"

Cut Instructions

1. Install Extended Stem and All-thread onto Valve. Fully seat stem onto cartridge by tightly securing All-thread nipple.
2. Screw on Escutcheon to All-thread and mark Nipple where excess thread needs to be cut off, allowing stem to extend. FIG A
3. Place Handle onto Stem and measure excess between Escutcheon and Handle base. Remove handle and cut excess from the end of the Stem using the cut marks provided. FIG B Finished installation should look like FIG C



Product/Finish Warranty: American Faucet & Coatings Corporation warrants that products are free from defects in materials and workmanship for five (5) years from date of invoice. In addition, our Finish Warranty provides limited LIFETIME coverage for Chrome & PVD finishes, five (5) years for Omega powder coated finishes. Living finishes are war-ranted for workmanship only. If any material proves to be defective after inspection by our company, it will be repaired or replaced at our discretion at no charge. However, no claims for labor, shipping costs, or consequential damages will be accepted.

What we will do: We will restore any product whose finish proves to be defective back to its original finish at no charge during the appropriate warranty period stated above. Proof of purchase must be provided. After the warranty period, American Faucet and Coatings Corporation will refinish any of its faucets at the prevailing appropriate charge.

What you must do: The faucets must be properly installed according to our instructions and specifications & are for residential use only. The faucets cannot be altered in any way. You must maintain and clean the faucets in accordance with the instructions provided with the product. You must use the faucet(s) for residential use only.

How to obtain service: Contact our customer service by calling 800.960.BATH or send an email to customerservice@sigmafaucet.com. Please have you model number and proof of purchase available so we can better assist you.

We will then respond and take appropriate action. Do not send us any part(s) of your faucet(s) or its various connecting hoses unless we have contacted you and have sent you an approved RGA form. All transportation charges for returned goods must be paid by the customer.

What is not covered: This warranty does not cover the crystal/glass, or porcelain products of any faucet or the drain assembly or aerator on other than the Chrome or PVD finishes. This warranty also does not cover damage caused by accident, alterations, misuse, abuse, normal wear and tear, lime deposits, direct exposure to salty air or corrosive materials, or the color change that takes place with the passage of time, or use in any manner contrary to American Faucet and Coatings Corporation's printed instructions. In the case of in-the-wall installations American Faucet and Coatings Corp. will assume no liability if there is no access. **In no event will we be liable for labor of any kind, incidental or consequential damages.** This warranty is extended in lieu of all other expressed or implied warranties, whether oral or written. **Many installation compounds are harmful to brass and metal finishes. The use of any lead-based or acidic curing adhesive, silicone, mastic, or plumber's putty on or near our finished products will void the finish warranty. Use only sealants which are neutral curing and are not reactive with metal and brass finishes.** American Faucet & Coatings Corporation reserves the right to change, modify or alter its products as deemed necessary. This warranty super-sedes any other American Faucet & Coatings Corporation warranties, whether oral or written.

Unless otherwise contrary to state law governing the purchase, American Faucet and Coatings Corporation's liability will not exceed the wholesale price for the American Faucet and Coatings Corporation product considered defective. This warranty gives you specific legal rights, and you may also have other rights which vary from state to state. Some states do not allow exclusion of incidental or consequential damages, so the above limitation may not apply to you.

LIFETIME WARRANTY ON 1/4 TURN CERAMIC DISC CARTRIDGE

Should the ceramic disc cartridge in your faucet ever fail, American Faucet & Coatings Corporation will replace the failed part free of charge to the original purchaser of the product. Shipping and handling charges will apply. Labor not included. When ordering replacements, denote for widespread or centerset lavatory, Roman Tub, or other. Include age of faucet. (This does not include thermostatic, pressure balance, or diverter cartridges.)

CONSUMER WARNING CALIFORNIA PROPOSTION 65 WARNING

Among other chemicals known to cause harm, this faucet contains lead, a chemical known to the State of California to cause birth defects or other reproductive harm.

All faucets and products made of leaded brass alloys, even those that comply with U.S. Environmental Protection Agency regulations, contribute small amounts of lead to water that is allowed to stand in contact with the brass. This faucet complies with all E.P.A. regulations regarding the amount of lead used in plumbing brass and solder. The amount of lead contributed by any faucet is highest when the faucet is new. The following steps will reduce potential for exposure to lead from faucets and other parts of the plumbing system:

- Always run the water for a few seconds prior to use for drinking or cooking.
- Use only cold water for drinking or cooking.
- If you wish to flush the entire plumbing system of water that has been standing in the pipes or other fittings, run the cold water until the temperature of the water drops, indicating water coming from the outside main.
- If you are concerned about lead in your water, have your water tested.