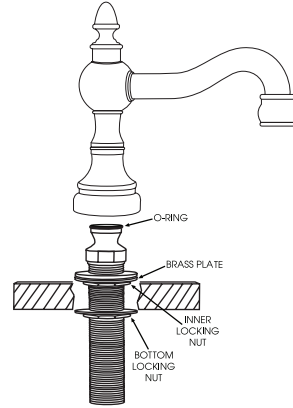
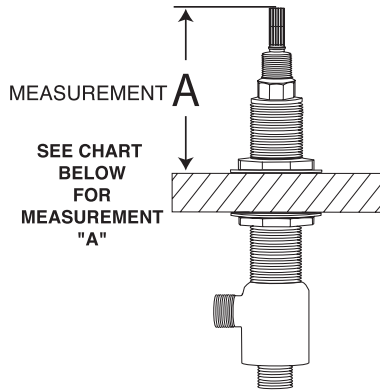




Deck Mount Rough-In Specifications 3/4" Valve, Diverter & Roman Tub Spout



ROMAN TUB SPOUT

* Quick-Connect

NOTICE: These instructions do not represent step-by-step directions. They are a product supplement only to be used by a qualified/licensed plumber. We recommend all plumbing fixtures be installed by a professional.

1. ALWAYS flush lines of debris; ALWAYS provide an access panel for later service.
2. Provide 1-1/4" hole size for valve and spout. Apply teflon tape to threaded areas of tee assembly. It is suggested that tee be secured permanently in place by solder. Plumber to provide lines to valves; tee not provided with spout unless requested due to frequency of diverter/handshower installations.
3. Thread spout approximately 1/2" onto the nipple (3 turns minimum). Note: some designs provide for a quick-connect application.
4. Install trim after completion to avoid damage from following trades.
5. WARRANTY IS INVALID if iron pipe is used to connect spouts or house is improperly grounded.
6. TEST VALVES AND LINES BEFORE CLOSING DECK.

CAUTION:

This faucet has been designed to the highest standards. The valves must be installed at the proper valve height (Measurement "A") to ensure both style and function.

| Design Group | Handle # | Measurement "A" |
|-----------------|--------------|-----------------|
| Design Group I | Handle # 021 | 1-3/4" |
| | Handle # 025 | |
| | Handle # 026 | |
| | Handle # 463 | |
| | Handle # 465 | |
| | Handle # 466 | |
| | Handle # 481 | |
| | Handle # 482 | |
| | Handle # 484 | |
| | Handle # 485 | |
| | Handle # 486 | |
| Design Group II | Handle # 090 | 1-1/2" |