

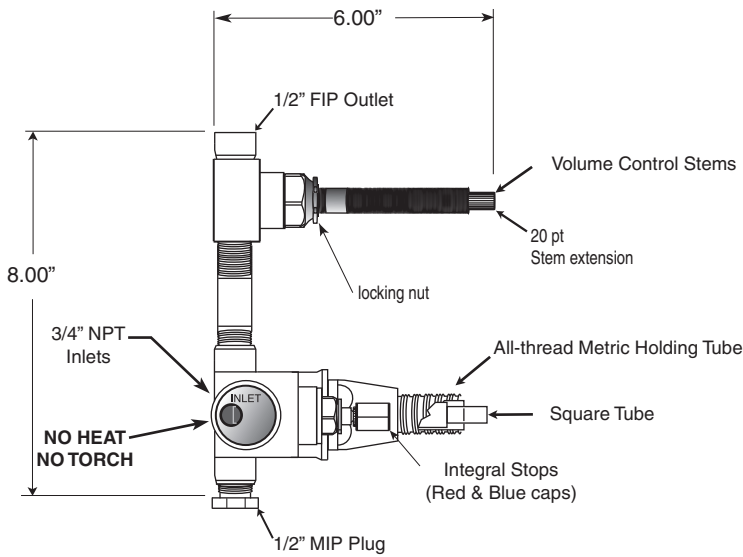
**FEATURES:**

- All brass construction.
- Available in all finishes. Warranty varies according to finish selection.
- Thermostatic valve cartridge: 18.30.082
- Shut-off cartridge: 18.30.036
- Screw driver spring check valve: (2) 18.30.181
- 5.0 GPM @ 45PSI

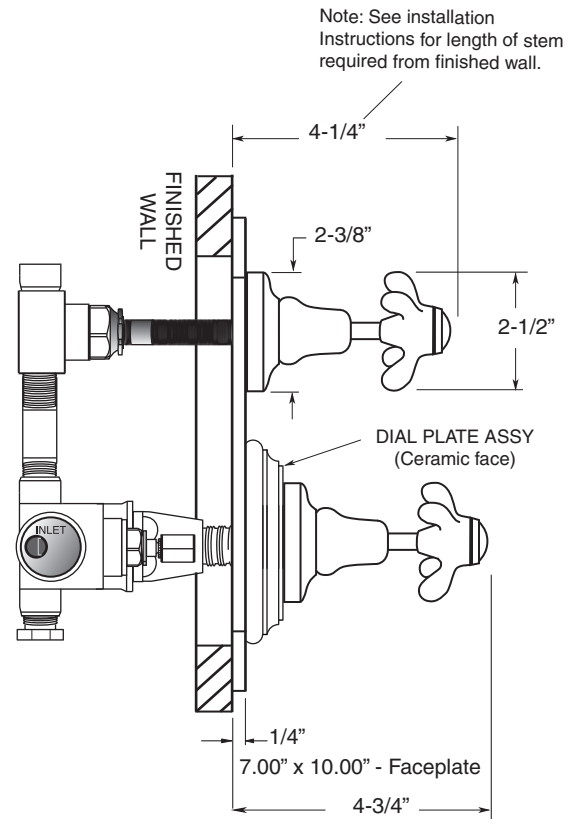
**TechData**  
**SPECIFICATIONS**

**Rutherford**

1/2" Imperial Thermostatic  
and One Volume Control  
7.0248196V  
Drop Cross Handle  
(7.0248196VT Trim Only)



**SIDE VIEW - VALVE ONLY**



**SIDE VIEW - INSTALLED**

Note: Measurements are subject to change or cancellation. No responsibility is assumed for use of superseded or voided pages.