

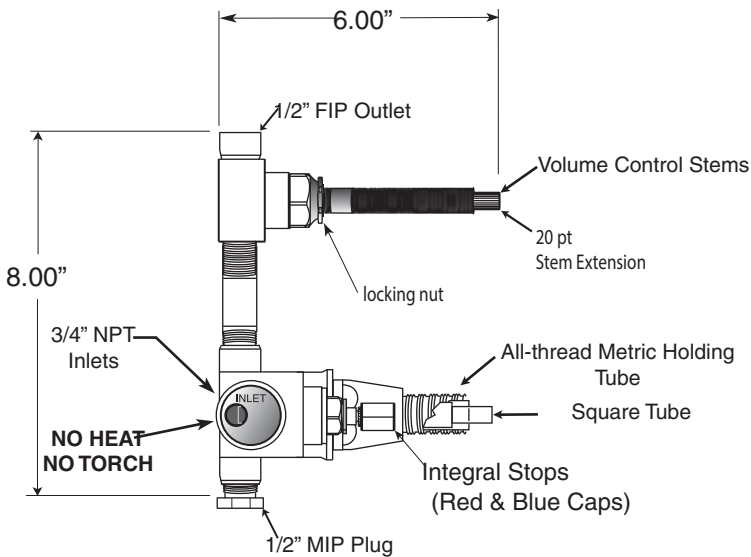
St. Julien

1/2" Imperial Thermostatic
and One Volume Control
7.0246696V
Finial Lever

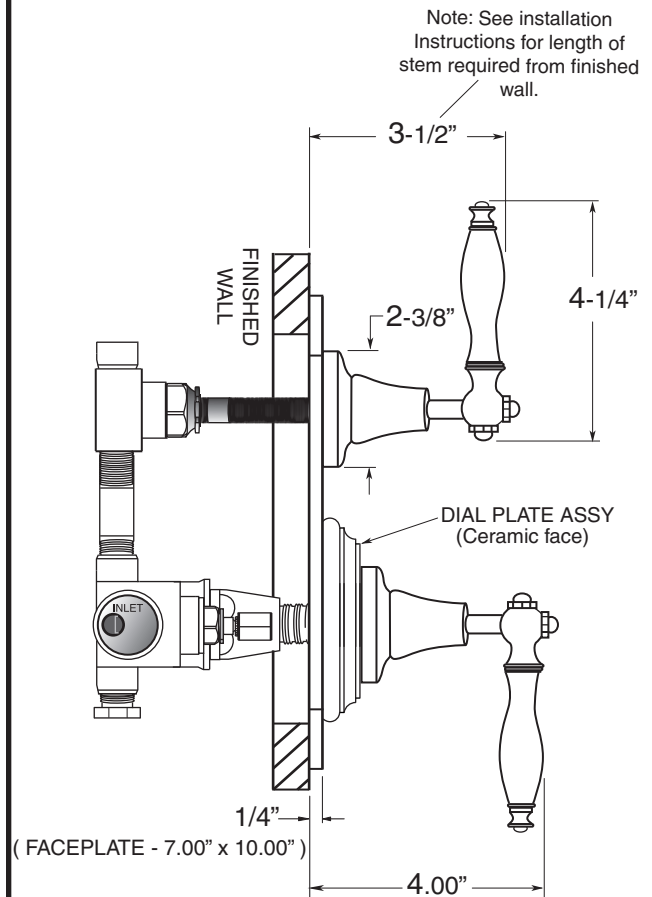
(7.0246696VT Trim Only)

FEATURES:

- All brass construction.
- Available in all finishes. Warranty varies according to finish selection.
- Thermostatic valve cartridge: 18.30.082
- Shut-off cartridge: 18.30.036
- Screw driver spring check valve: (2) 18.30.181
- 5.0 GPM @ 45PSI



SIDE VIEW - VALVE ONLY



SIDE VIEW - INSTALLED