

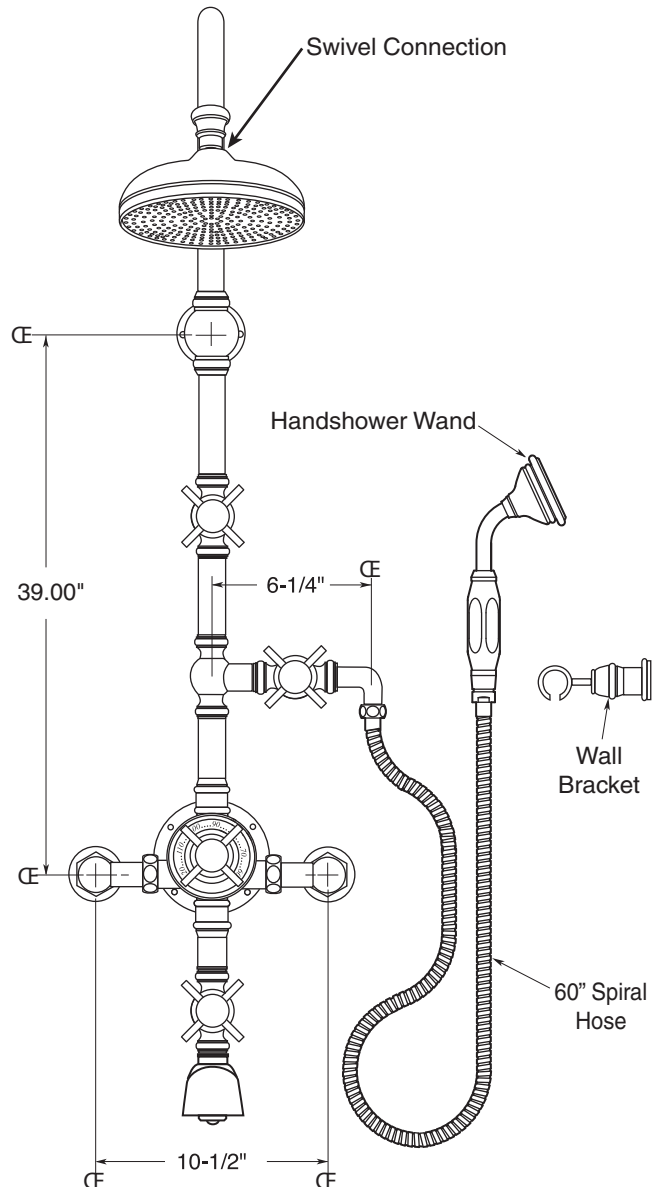
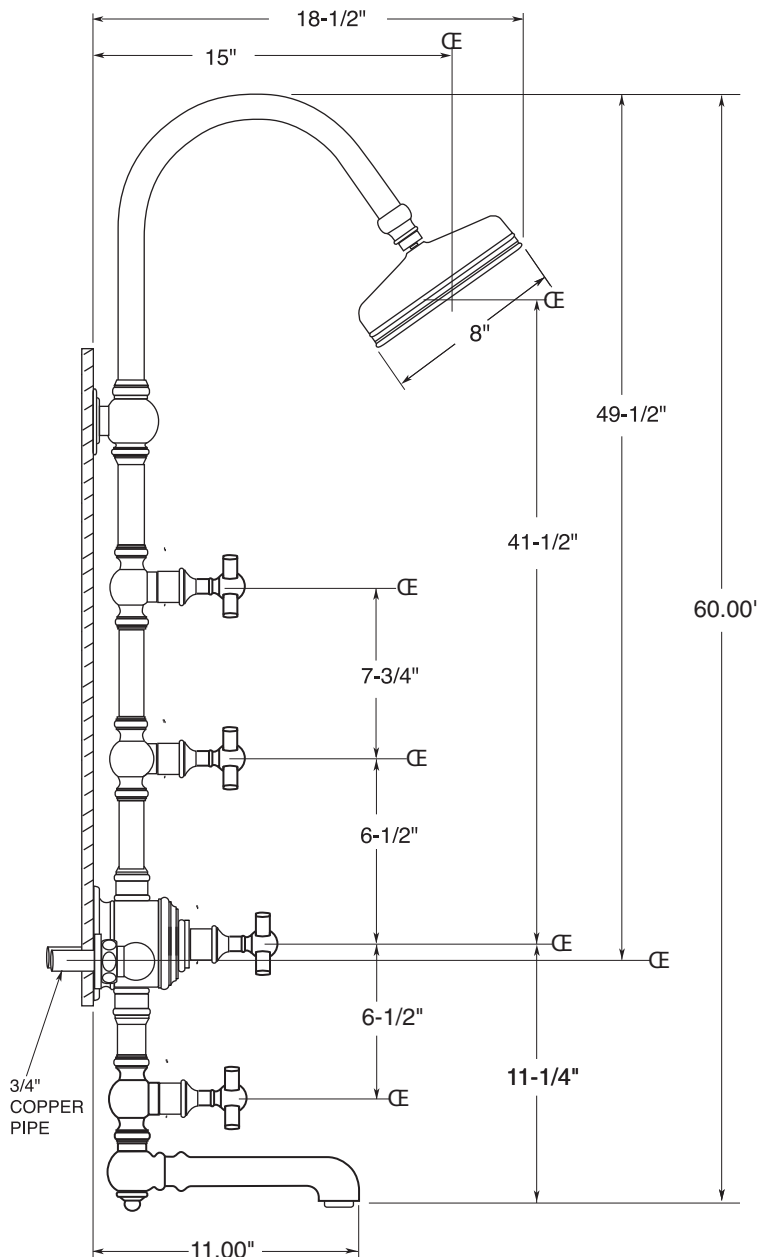
SPECIFICATIONS

Reserve Collection

Exposed Thermostatic
Tub & Shower System with
Handshower
7.00 _ _ _ 880

FEATURES:

- All brass construction.
 - Solid brass dial assembly preset @ 110 Max.
 - Thermostatic valve cartridge P/N: 18.30.176
 - Porcelain hand shower wand P/N: 18.10.205
 - 60" Spiral hose supplied P/N: 18.10.016
 - Showerhead replacement: 18.10.052EXP
 - Available in all finishes. Warranty varies according to finish selection.
- NOTE: Do not rough without copper rough-in guide.
Guide is sent ahead by default.



Note: Measurements are subject to change or cancellation. No responsibility is assumed for use of superseded or voided pages.