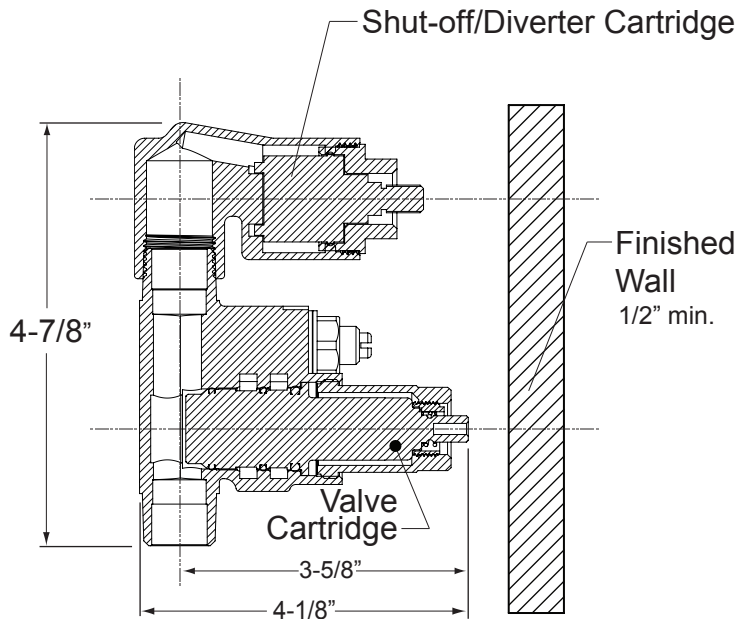


SPECIFICATIONS

E-Mini Thermostatic Valve

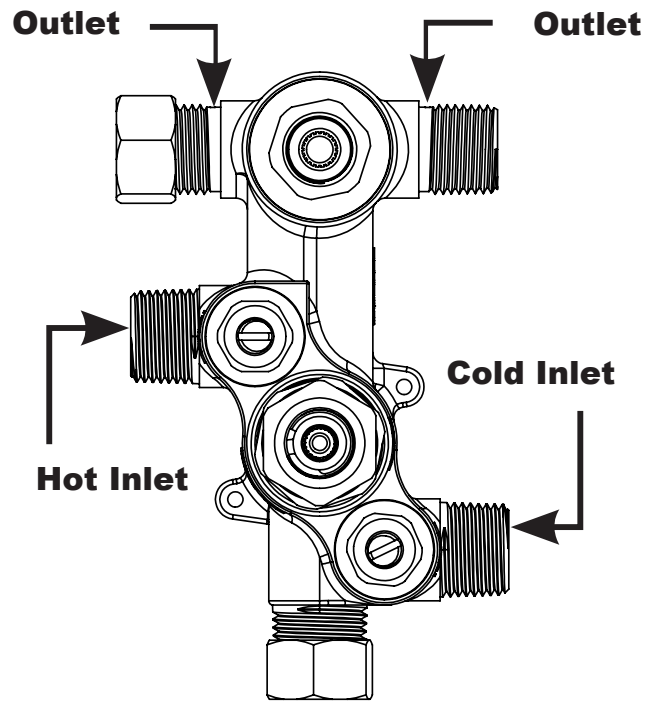
18.30.291/18.30.292

Leftside Cutaway View

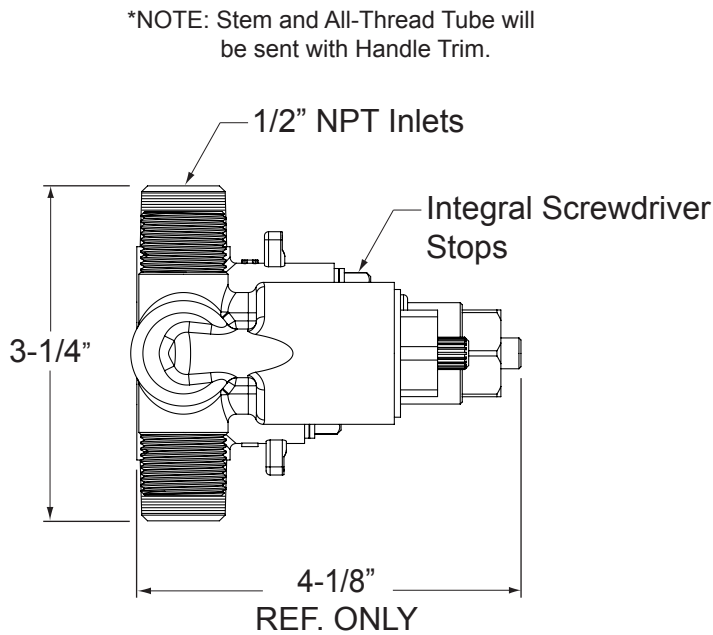


*NOTE: Stem and All-Thread Tube will be sent with Handle Trim.

Front View



Top View



*NOTE: Stem and All-Thread Tube will be sent with Handle Trim.

NOTE: Measurements are subject to change or cancellation. No responsibility is assumed for use of superseded or voided pages.