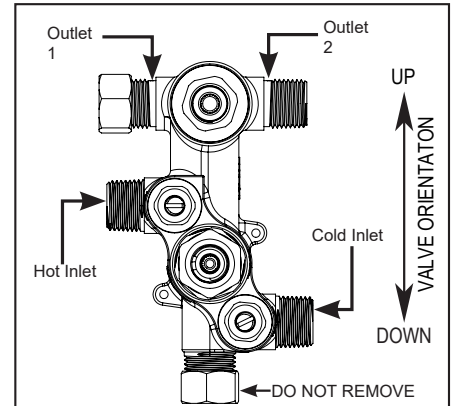
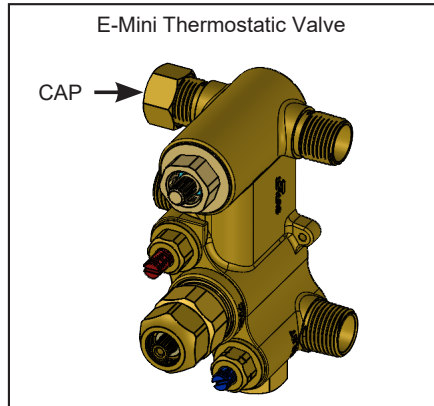


## E-Mini Thermostatic Valve Installation Instructions

### IMPORTANT:

- CARTRIDGE FUNCTIONS AS BOTH DIVERTER & SHUT-OFF BY KEEPING OR REMOVING CAP
- DO NOT REMOVE CAP ON BOTTOM OF VALVE

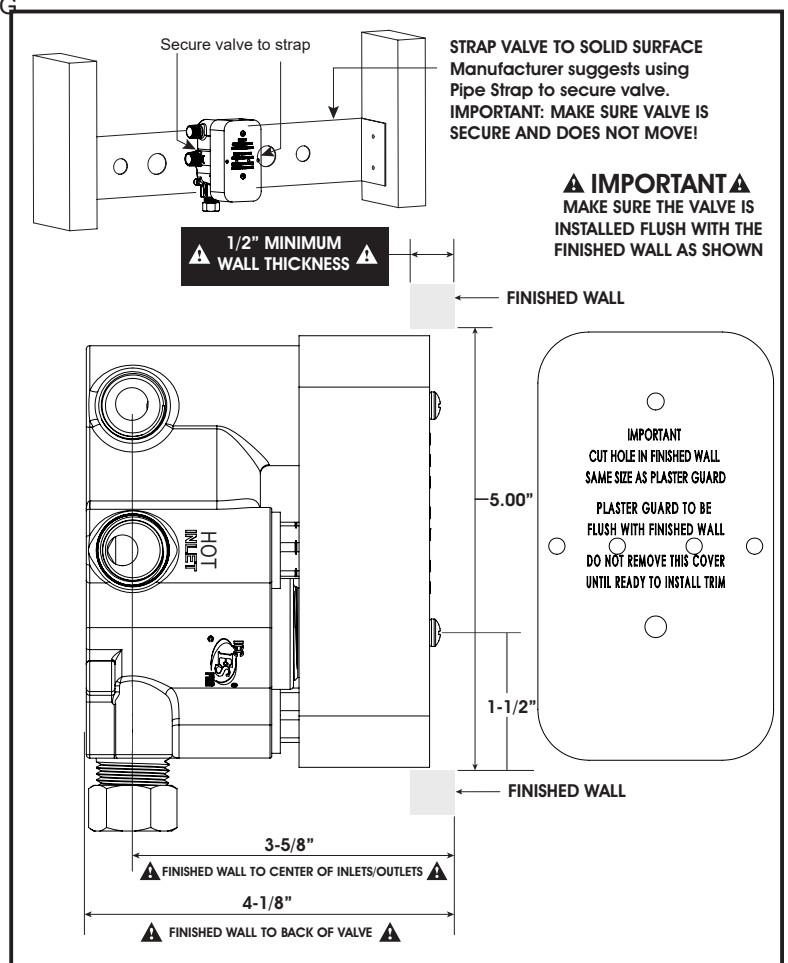


### PRIOR TO STARTING:

1. FLUSH lines of debris prior to starting. Debris may clog the cartridge.
2. Use template provided to cut hole size required to access the integral screwdriver service stops and the removable cartridges. The rough valves come PRE-ASSEMBLED and FACTORY READY TO INSTALL.
3. Be alert that the valve body is not installed upside down. Ensure that the shut-off is on top.
4. The screwdriver service stops should always be in the full-open position with the valve in use. They are not to be used to restrict flow of either hot or cold inlets. THE HOT AND COLD WATER MUST BE FULLY OPERATIONAL AT THE VALVE INLETS OR THE UNIT WILL NOT FUNCTION PROPERLY DURING TESTING OR EVEN FLUSHING.
5. When soldering the valve body, it IS necessary to remove the cartridge assembly and screwdriver service stops.
6. Make sure to flush or raise grouting on a tiled wall surface to prevent seepage behind plate.

### ROUGH-IN OF VALVE

1. Strap securely into place using plumber supplied pipe strap. FIG. 1. Connect piping to 1/2" NPT female connections or 1/2" slip fit.  
NOTE: "H & C" MARKINGS ON TOP OF THE SCREWS.
2. The depth of rough-in should account for thickness of wall materials to be used, combining thickness of wall board and finished wall materials. It is CRITICAL TO PLACE THERMO VALVE MUD GUARD FLUSH WITH THE FINISHED WALL. FIG. 1.
3. Anchor installation to bracing between studs using the connection piping.
4. Valve should be pressurized and tested for leaks at the connections. DO NOT close wall until valve is tested.
5. Mud guard should be left attached to the valve until the finished wall material is installed.
6. Use only propane or butane gas when soldering. DO NOT use oxygen / acetylene as extreme heat may damage internal components.



**HANDLE SELECTION:**

Handle installation will vary with your handle selection. These instructions include the following handles:

Series 110



Series 200



Series 720



Series 300



Series 400



Series 1700



Series 510



Series 3200



Series 800/830



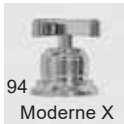
Series 3400/4400



Handles below come with cone escutcheon only



Series 620



Series 1300



Series 400

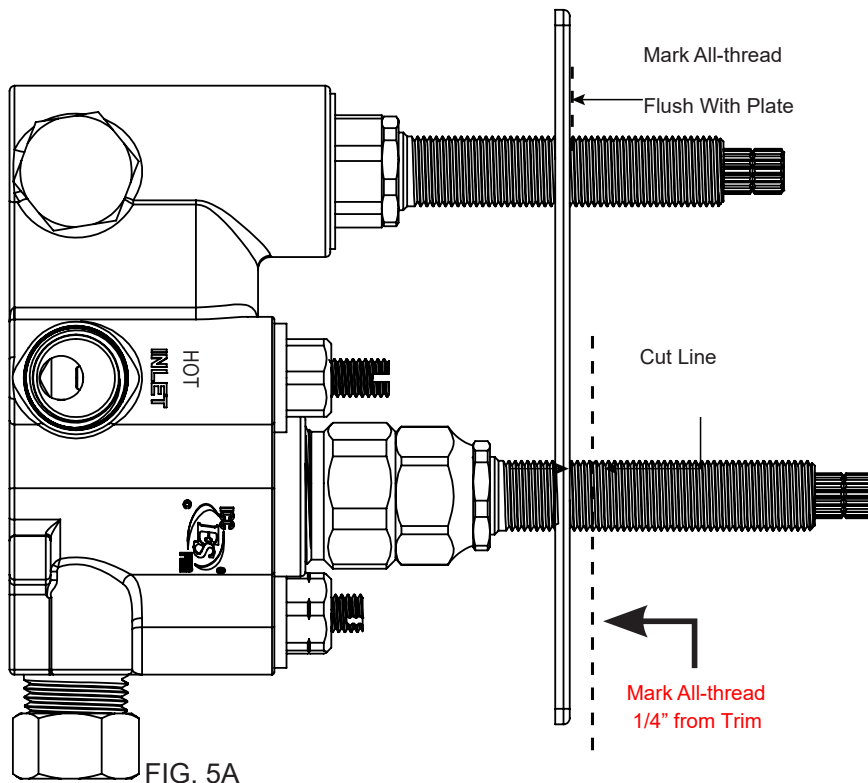
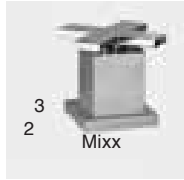


FIG. 5A

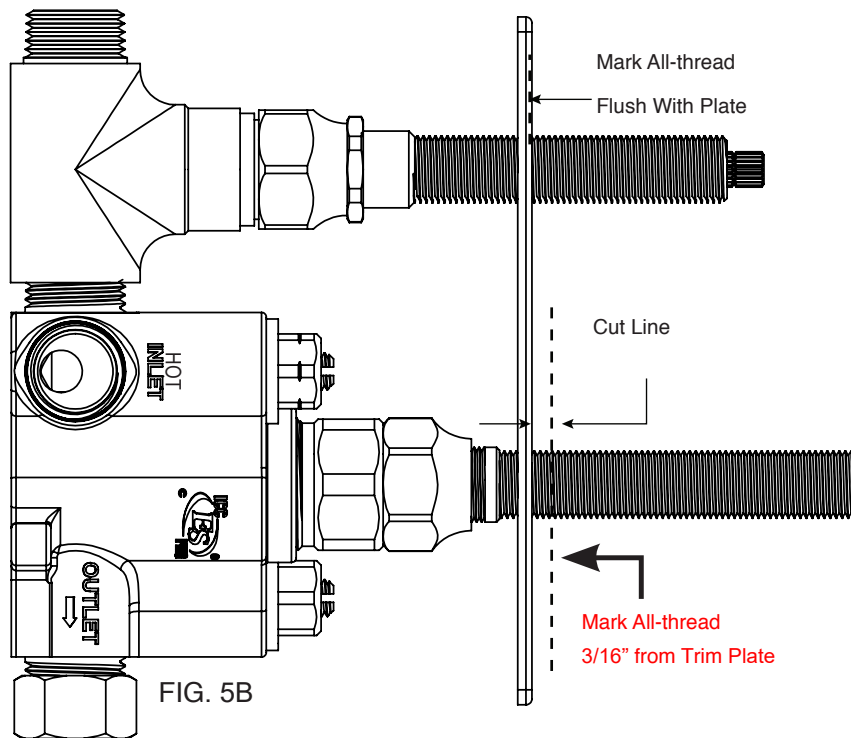
### HANDLE SELECTION:

Handle installation will vary with your handle selection.  
These instructions include the following handles:

#### Series 3300



#### Series 2300



# INSTALLING TRIM

## Configuration 1 Installation

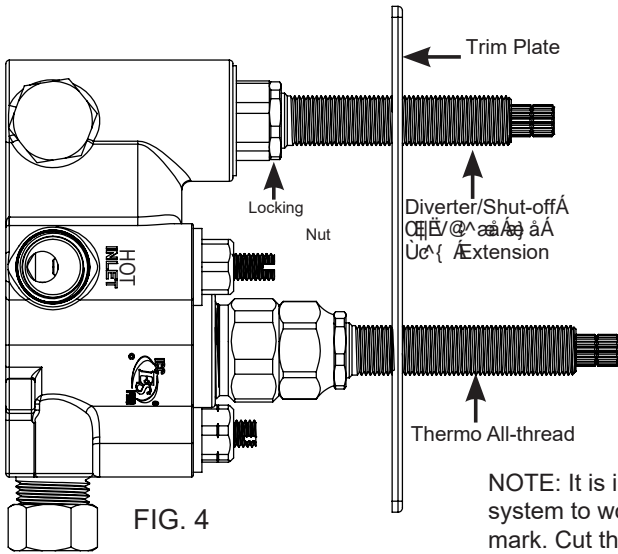


FIG. 4

Note: Follow the all steps for both Positive Shut-Off 2-Way Diverter and Shut-Off

1. Install extended Thermo Stem with Brass Friction Washers and All-threads onto Cartridge Stems. Fully seat stems onto Cartridges by tightly securing All-thread Nipples and Locking Nut onto Valve. Install Plate onto All-threads. FIG.4
2. While holding the Trim Plate firmly against the wall mark Diverter/Shut-off All-thread flush with Trim Plate for (Thermo) All-thread refer to either page 2 FIG.5A or page 3 FIG.5B depending on handle selection.

NOTE: It is important to measure and cut the All-thread accurately for the override system to work correctly. FIG 5A/5B. Remove Thermo All-thread and cut at your mark. Cut the Diverter/Shut-off All-thread using Instructions shown in FIG 6. Re-install the All-threads and Locking Nuts onto the Valves with Stem Extensions.

3. Install the Handle fully onto the Thermo Stem Extension until the Stem bottoms out on the Stem of the Handle. Carefully measure the distance from the Trim Plate to the bottom of your Escutcheon. For the Diverter/Shut-off Stem Extension mark flush with trim plate. Hold the Trim Plate firmly against the wall to get an accurate measurement. FIG. 7

4. Remove the All-threads and Stem Extensions and cut the distance you measured from Step 3 for the Thermo Stem Extension and cut at your mark for the Diverter/Shut-off Stem Extension. Make sure your cuts are accurate.

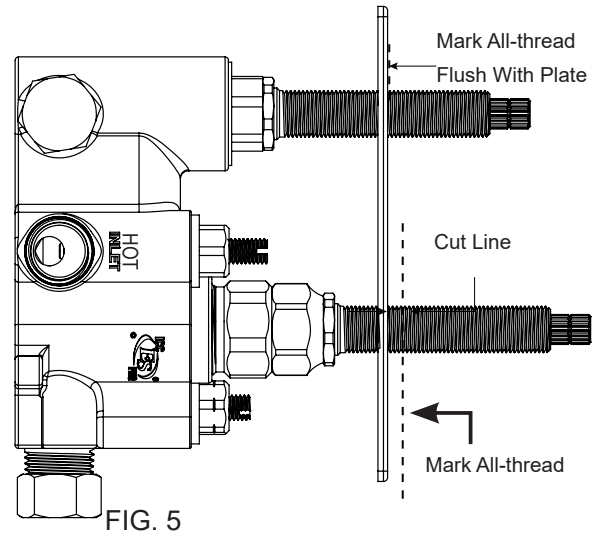


FIG. 5

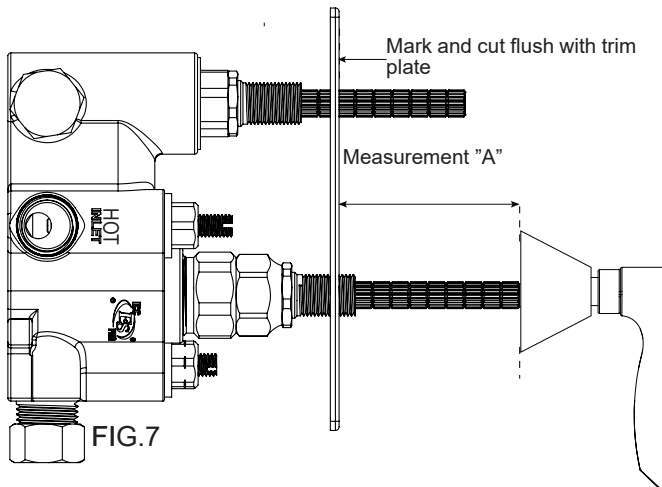


FIG. 7

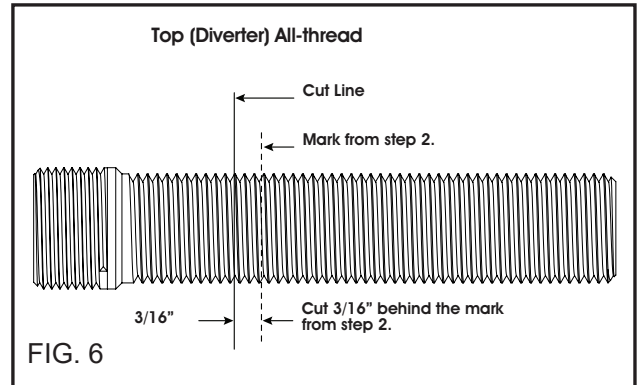
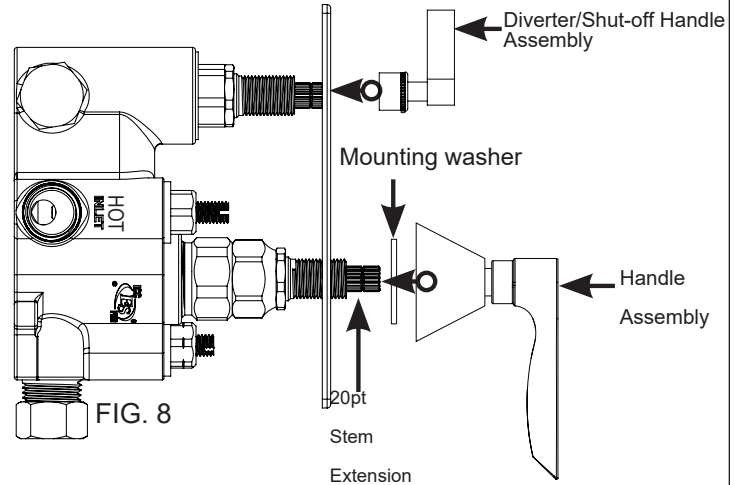


FIG. 6

5. Re-install the Stem Extensions and All-threads making sure the All-threads are tightly threaded into the Adapter Nuts and Locking Nuts are secure. Slide the Handle on to the mounting ring and secure by using the Set Screws provided. Lastly thread on the Diverter/shutoff handle assembly FIG. 8

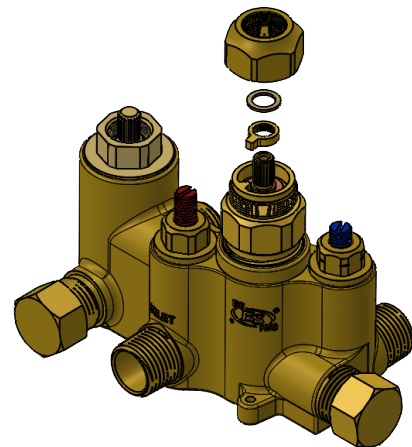
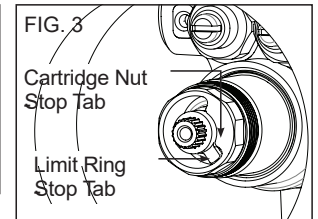
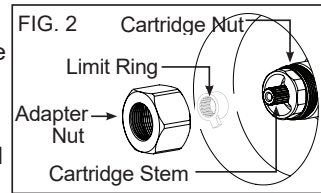


**Notice: Do not TORCH or apply HEAT. If necessary all internals must be removed or risk damaging parts.**

## ⚠ SETTING HOT LIMIT STOP & CALIBRATION ⚠

THIS VALVE COMES PRE-CALIBRATED FROM THE FACTORY TO A MAXIMUM TEMPERATURE OF 112° F. IT IS THE RESPONSIBILITY OF THE INSTALLER TO CHECK AND/OR SET THE MAXIMUM OUTPUT TEMPERATURE OF THE VALVE AS SPECIFIED BY THE AUTHORITY HAVING JURISDICTION IN ACCORDANCE WITH ASSE/ANSI 1016-2012 4.2.2 REQUIREMENTS.

1. To properly set the Limit Ring in accordance with local code requirements, you must use a thermometer or calibrated sensing device to accurately measure the outlet water temperature.
  2. Installer must check to make sure the Cartridge Nut is tight and secured into the valve.
  3. Use the In-Wall stem provided with your trim to rotate the valve stem until the water reaches 112° F.
  4. Locate the Stop Tab on the Cartridge Nut and install the Temperature Limit Ring onto the Cartridge Stem so the Stop Tab on the Limit Ring is positioned right at this stop and will not allow your stem to turn counter clockwise. FIG. 3
- IMPORTANT!! THE MANUFACTURER'S RECOMMENDED MAXIMUM TEMPERATURE OUTPUT IS 112° F.**
5. Reinstall the Adapter Nut and tighten securely onto Cartridge Nut.



### SPECIFICATIONS

Minimum operating pressure	
Maximum operating pressure	
Max hot water inlet temp.	
Hot and cold water inlets	1/2" NPT male
Shower and tub outlet	1/2" NPT male
Flow capacity / Shut-Off	7.0 GPM / 45 ps
Flow capacity / Diverter	

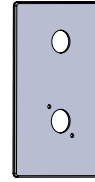
**NOTICE:** These install instructions do not represent step-by-step directions. They are a product supplement only to be used by a qualified and licensed plumber. We recommend all plumbing fixtures to be installed by a professional.

This valve is precision engineered to provide satisfactory performance provided it is installed and operated in accordance with recommendations contained in these installation instructions. Please be sure to familiarize yourself with these instructions.

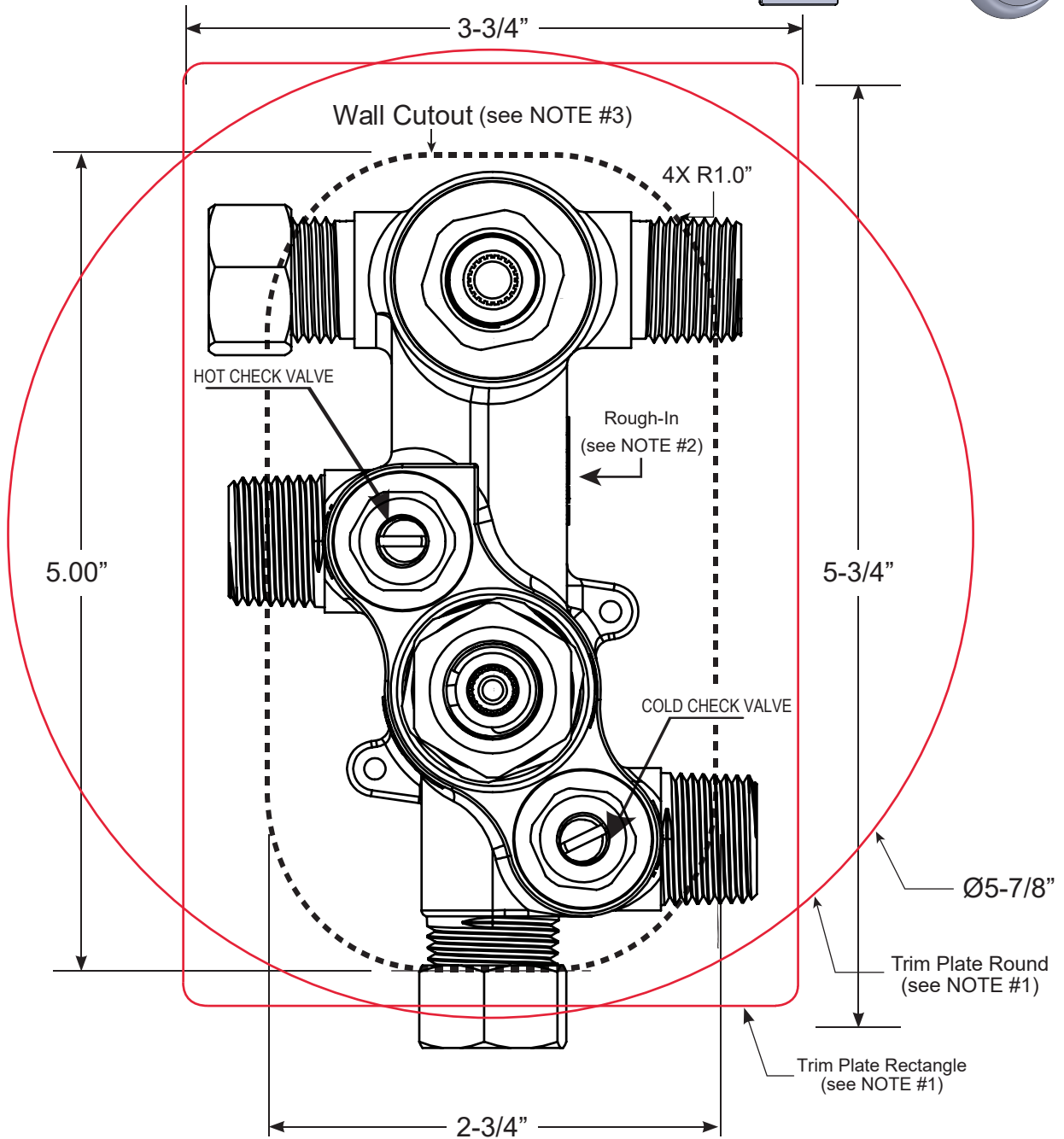
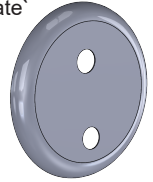
E-Mini Thermostatic Valve with Shut-Off or  
 E-Mini Thermostatic Valve with  
 Positive Shut-Off Two-Way Diverter  
 Template Cutout Full Scale (1:1)

**SIGMA**  
 PRECISION CRAFTED

Rectangle Plate



Round Plate



**NOTES:**

1. The solid red lines represent the actual outline of the Trim Plate.
2. The solid light lines represent the actual outline of the Rough-In.
3. The dashed dark line represents the minimum size cutout in the Wall.

**Product/Finish Warranty:** American Faucet & Coatings Corporation warrants that products are free from defects in materials and workmanship for five (5) years from date of invoice. In addition, our Finish Warranty provides limited LIFETIME coverage for Chrome & PVD finishes, five (5) years for Omega powder coated finishes. Living finishes are war-ranted for workmanship only. If any material proves to be defective after inspection by our company, it will be repaired or replaced at our discretion at no charge. However, no claims for labor, shipping costs, or consequential damages will be accepted.

**What we will do:** We will restore any product whose finish proves to be defective back to its original finish at no charge during the appropriate warranty period stated above. Proof of purchase must be provided. After the warranty period, American Faucet and Coatings Corporation will refinish any of its faucets at the prevailing appropriate charge.

**What you must do:** The faucets must be properly installed according to our instructions and specifications & are for residential use only. The faucets cannot be altered in any way. You must maintain and clean the faucets in accordance with the instructions provided with the product. You must use the faucet(s) for residential use only.

**How to obtain service:** Contact our customer service by calling 800.960.BATH or send an email to customerservice@sigmafaucet.com. Please have you model number and proof of purchase available so we can better assist you.

We will then respond and take appropriate action. Do not send us any part(s) of your faucet(s) or its various connecting hoses unless we have contacted you and have sent you an approved RGA form. All transportation charges for returned goods must be paid by the customer.

**What is not covered:** This warranty does not cover the crystal/glass, or porcelain products of any faucet or the drain assembly or aerator on other than the Chrome or PVD finishes. This warranty also does not cover damage caused by accident, alterations, misuse, abuse, normal wear and tear, lime deposits, direct exposure to salty air or corrosive materials, or the color change that takes place with the passage of time, or use in any manner contrary to American Faucet and Coatings Corporation's printed instructions. In the case of in-the-wall installations American Faucet and Coatings Corp. will assume no liability if there is no access. **In no event will we be liable for labor of any kind, incidental or consequential damages.** This warranty is extended in lieu of all other expressed or implied warranties, whether oral or written. **Many installation compounds are harmful to brass and metal finishes. The use of any lead-based or acidic curing adhesive, silicone, mastic, or plumber's putty on or near our finished products will void the finish warranty. Use only sealants which are neutral curing and are not reactive with metal and brass finishes.** American Faucet & Coatings Corporation reserves the right to change, modify or alter its products as deemed necessary. This warranty super-sedes any other American Faucet & Coatings Corporation warranties, whether oral or written.

*Unless otherwise contrary to state law governing the purchase, American Faucet and Coatings Corporation's liability will not exceed the wholesale price for the American Faucet and Coatings Corporation product considered defective. This warranty gives you specific legal rights, and you may also have other rights which vary from state to state. Some states do not allow exclusion of incidental or consequential damages, so the above limitation may not apply to you.*

#### LIFETIME WARRANTY ON 1/4 TURN CERAMIC DISC CARTRIDGE

Should the ceramic disc cartridge in your faucet ever fail, American Faucet & Coatings Corporation will replace the failed part free of charge to the original purchaser of the product. Shipping and handling charges will apply. Labor not included. When ordering replacements, denote for widespread or centerset lavatory, Roman Tub, or other. Include age of faucet. (This does not include thermostatic, pressure balance, or diverter cartridges.)

#### CONSUMER WARNING CALIFORNIA PROPOSTION 65 WARNING

Among other chemicals known to cause harm, this faucet contains lead, a chemical known to the State of California to cause birth defects or other reproductive harm.

All faucets and products made of leaded brass alloys, even those that comply with U.S. Environmental Protection Agency regulations, contribute small amounts of lead to water that is allowed to stand in contact with the brass. This faucet complies with all E.P.A. regulations regarding the amount of lead used in plumbing brass and solder. The amount of lead contributed by any faucet is highest when the faucet is new. The following steps will reduce potential for exposure to lead from faucets and other parts of the plumbing system:

- Always run the water for a few seconds prior to use for drinking or cooking.
- Use only cold water for drinking or cooking.
- If you wish to flush the entire plumbing system of water that has been standing in the pipes or other fittings, run the cold water until the temperature of the water drops, indicating water coming from the outside main.
- If you are concerned about lead in your water, have your water tested.