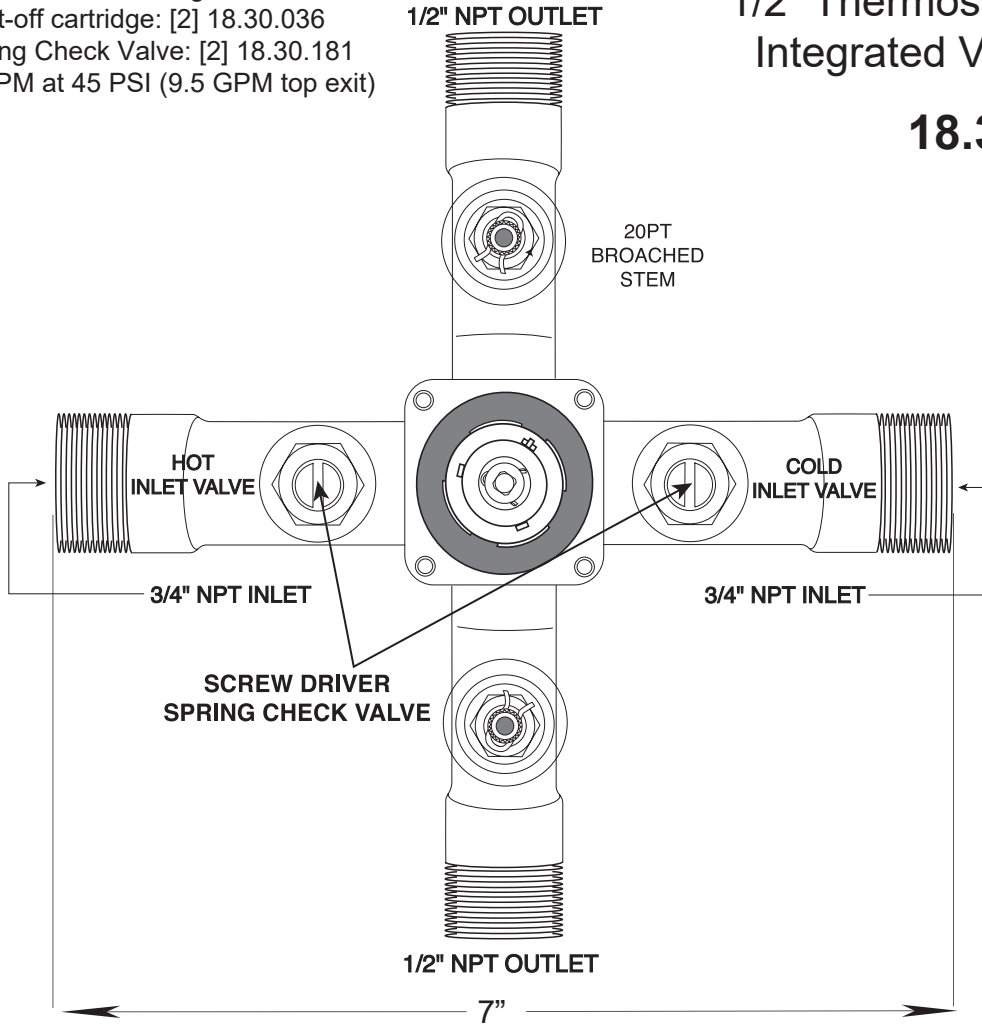


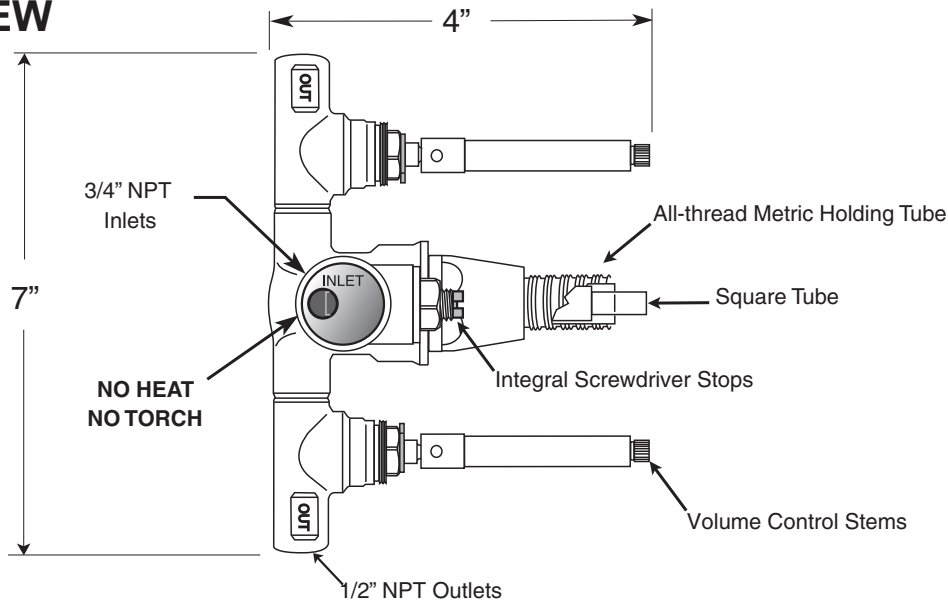
Replacement Thermostatic cartridge: 18.30.082
 Replacement shut-off cartridge: [2] 18.30.036
 Screw Driver Spring Check Valve: [2] 18.30.181
 Flow rate: 14.5 GPM at 45 PSI (9.5 GPM top exit)

1/2" Thermostatic Valve with 2 Integrated Volume Controls

18.30.077



SIDE VIEW



Note: Measurements are subject to change or cancellation. No responsibility is assumed for use of superseded or voided pages.