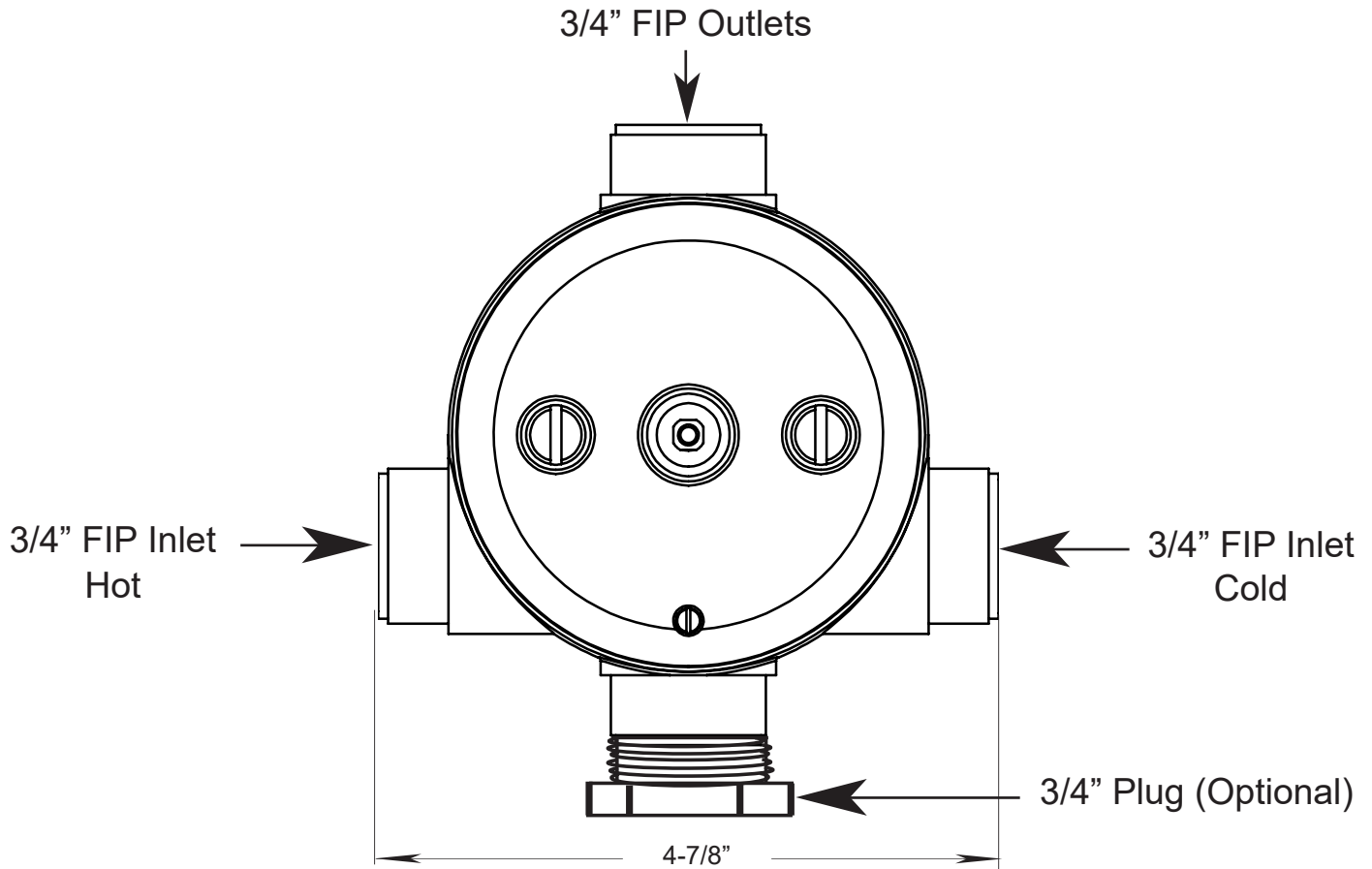


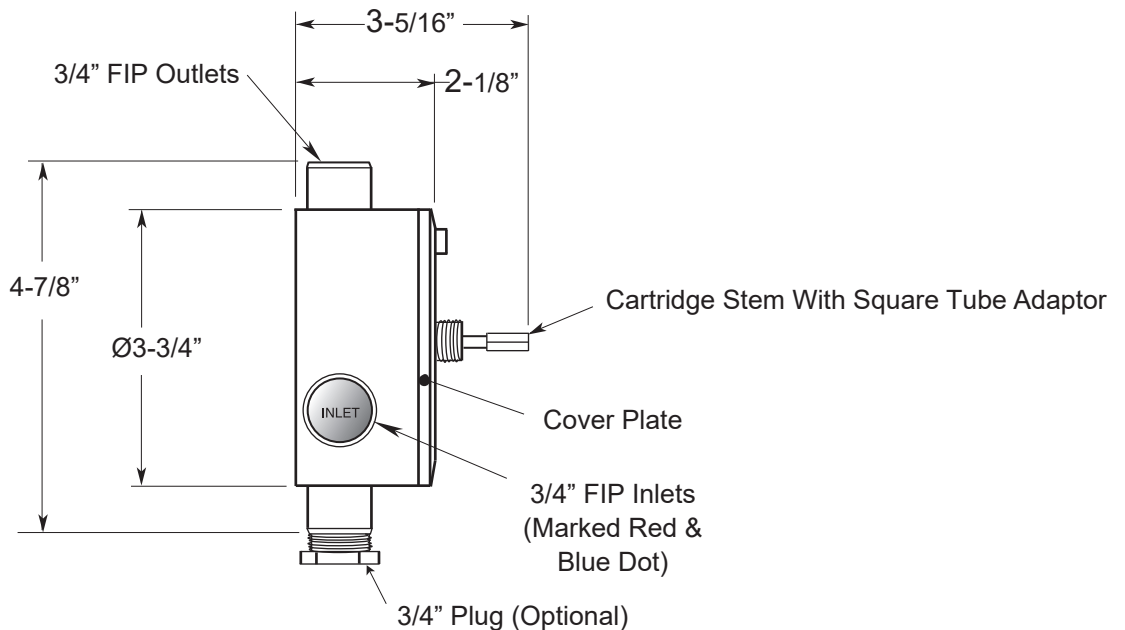
Replacement Thermostatic Cartridge: 18.30.147  
 Replacement Reverse Thermostatic Cartridge: 18.30.161  
 Flow rate: 14.28 GPM AT 56 PSI top exit & 11.10 GPM bottom exit  
 Note: Separate Shut-off valves required to operate system

3/4" Thermostatic Valve

**18.30.071**



**SIDE VIEW**



Note: Measurements are subject to change or cancellation. No responsibility is assumed for use of superseded or voided pages.