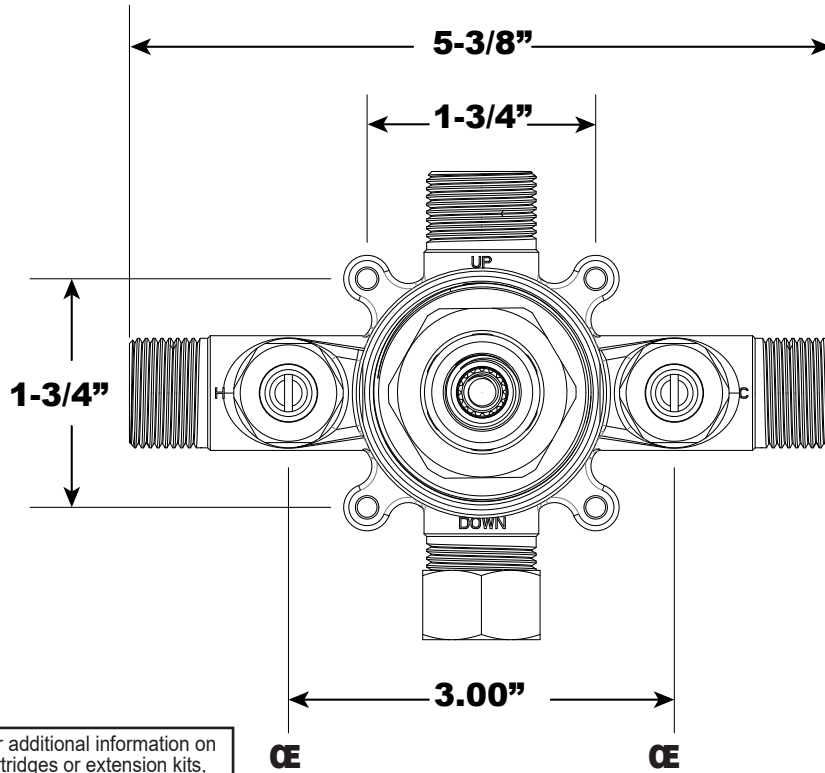


Single Function Pressure
Balance Valve

18.30.061

FRONT VIEW

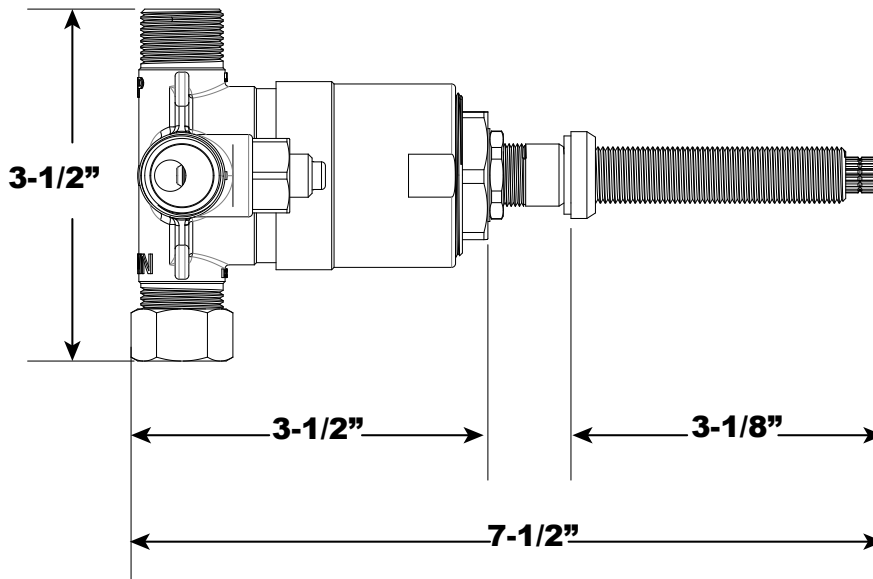


* Current valve in use: Circa 4/2014 - present Contact Customer Service for Older Versions

** For additional information on cartridges or extension kits, see 'Rough Valving' section in current catalog.

**Note: Stem and all-thread tube will be sent with handle trim.*

SIDE VIEW



Note: Measurements are subject to change. No responsibility is assumed for use of superseded or voided pages.