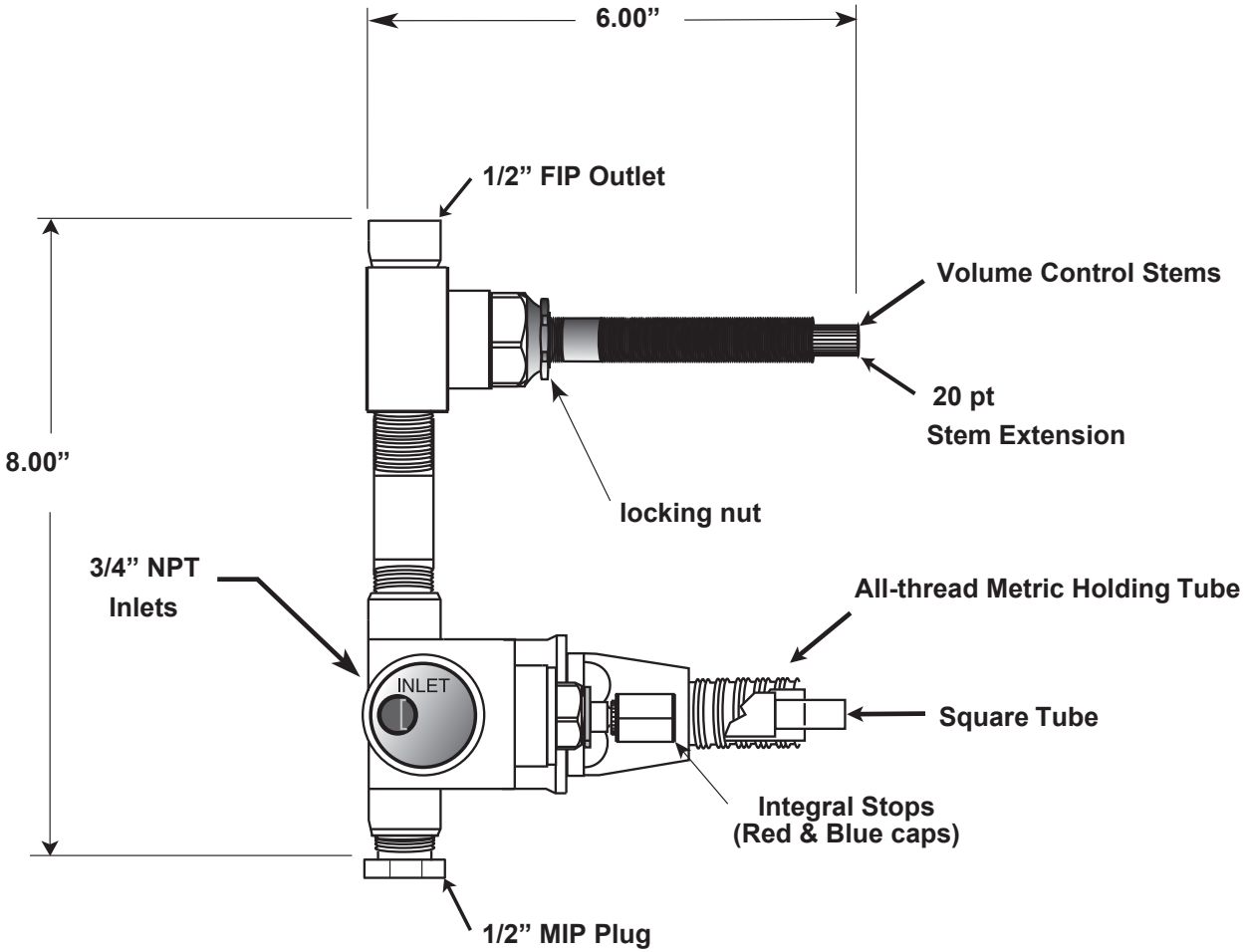


# SPECIFICATIONS

1/2" Thermostatic Valve  
with One Volume Control

**78.30.079**

- Thermostatic valve cartridge: 18.30.082
- Shut-off cartridge: 18.30.036
- Screw driver spring check valve: (2) 18.30.181



Note: Measurements are subject to change or cancellation. No responsibility is assumed for use of superseded or voided pages.