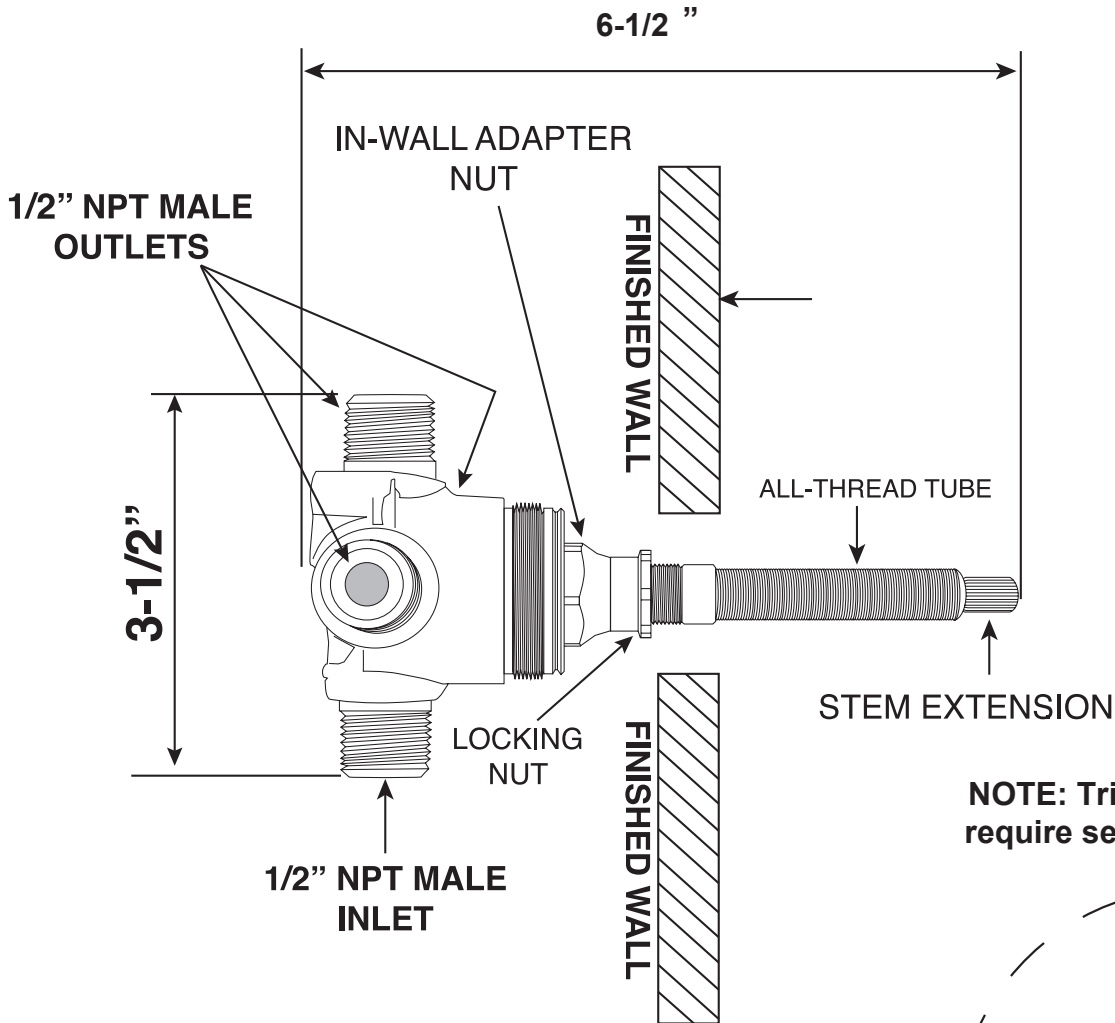
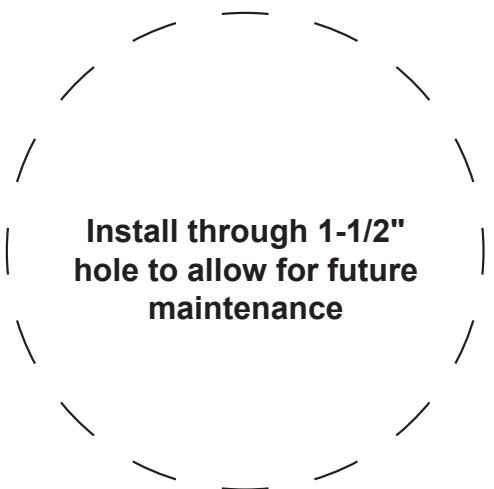


20pt. 4-Port In-Wall  
Diverter Valve, Trickle Flow

**78.30.252**



**NOTE: Trickle-flow valves require separate shut-off.**



Note: Measurements are subject to change or cancellation. No responsibility is assumed for use of superseded or voided pages.