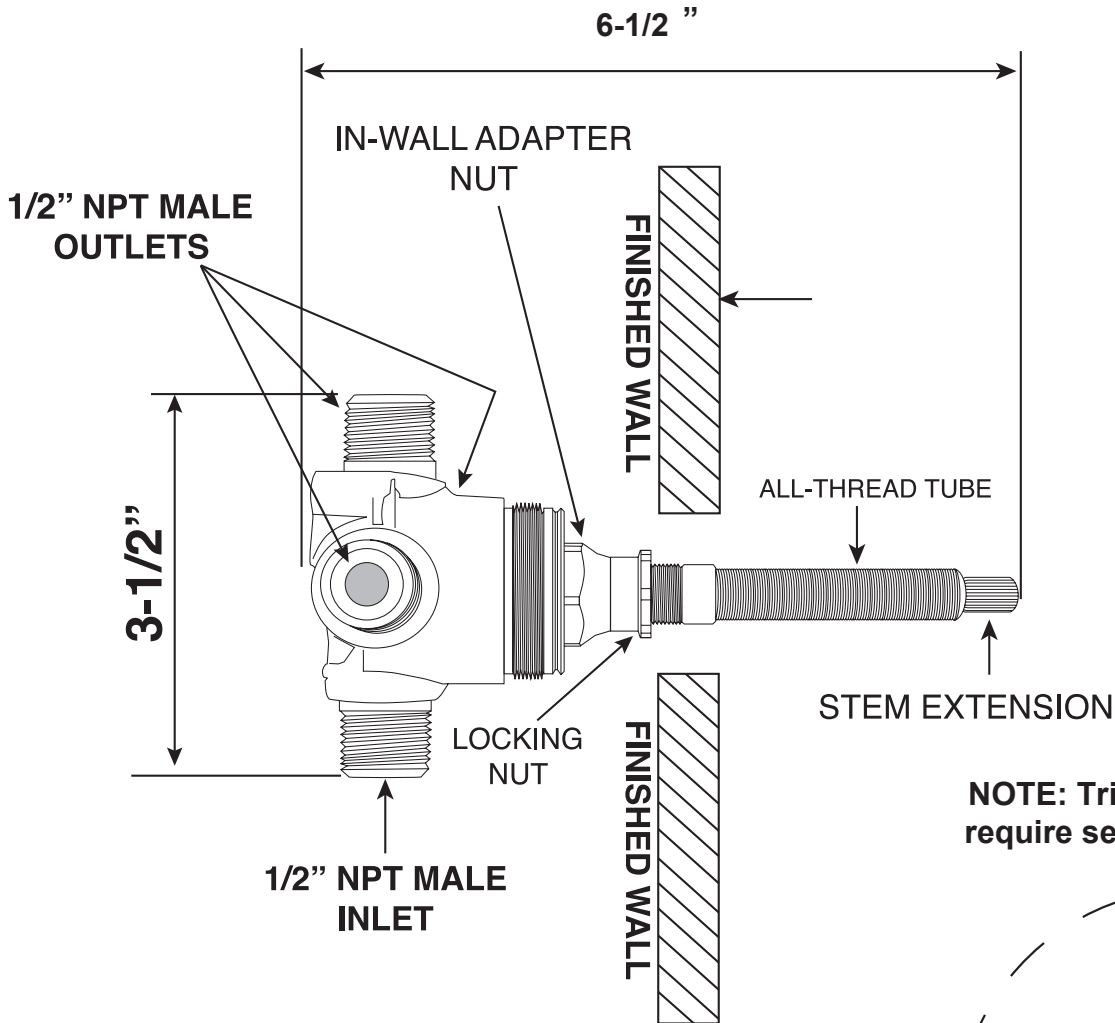


16pt. 4-Port In-Wall Diverter Valve, Trickle Flow

18.30.252



NOTE: Trickle-flow valves require separate shut-off.

