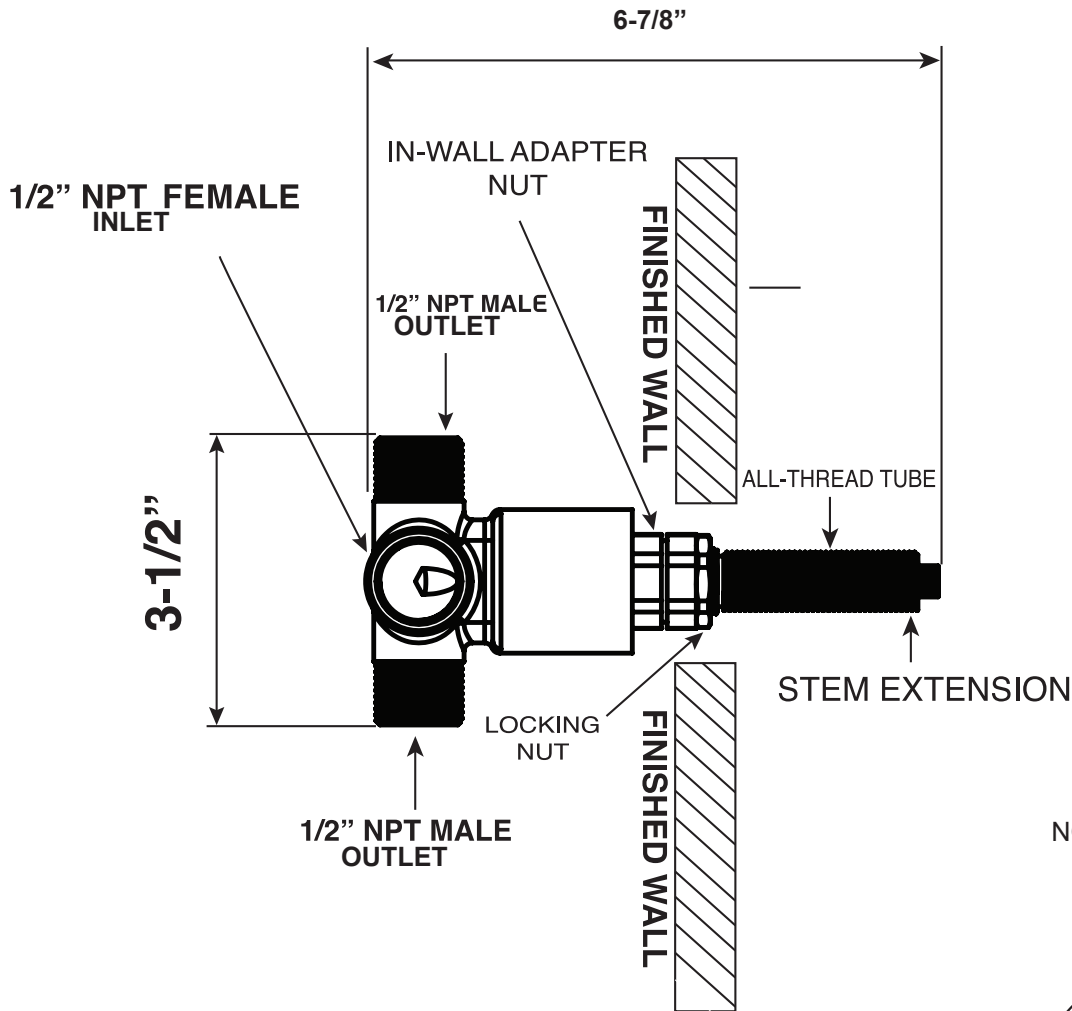


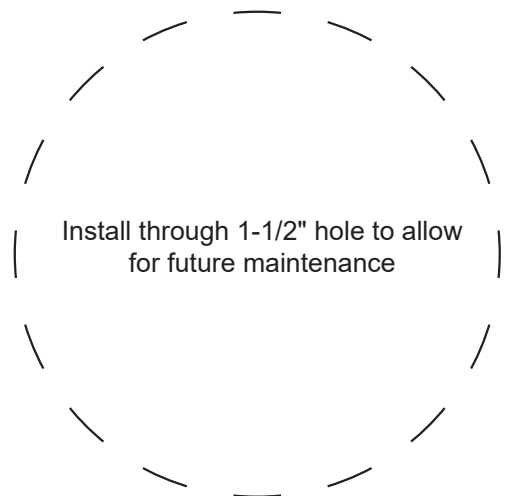
# SPECIFICATIONS

## 16pt. 3-Port In-Wall Diverter Valve, Trickle Flow

**18.30.254**



NOTE: Trickle-flow valves require separate shut-off.



Note: Measurements are subject to change or cancellation. No responsibility is assumed for use of superseded or voided pages.