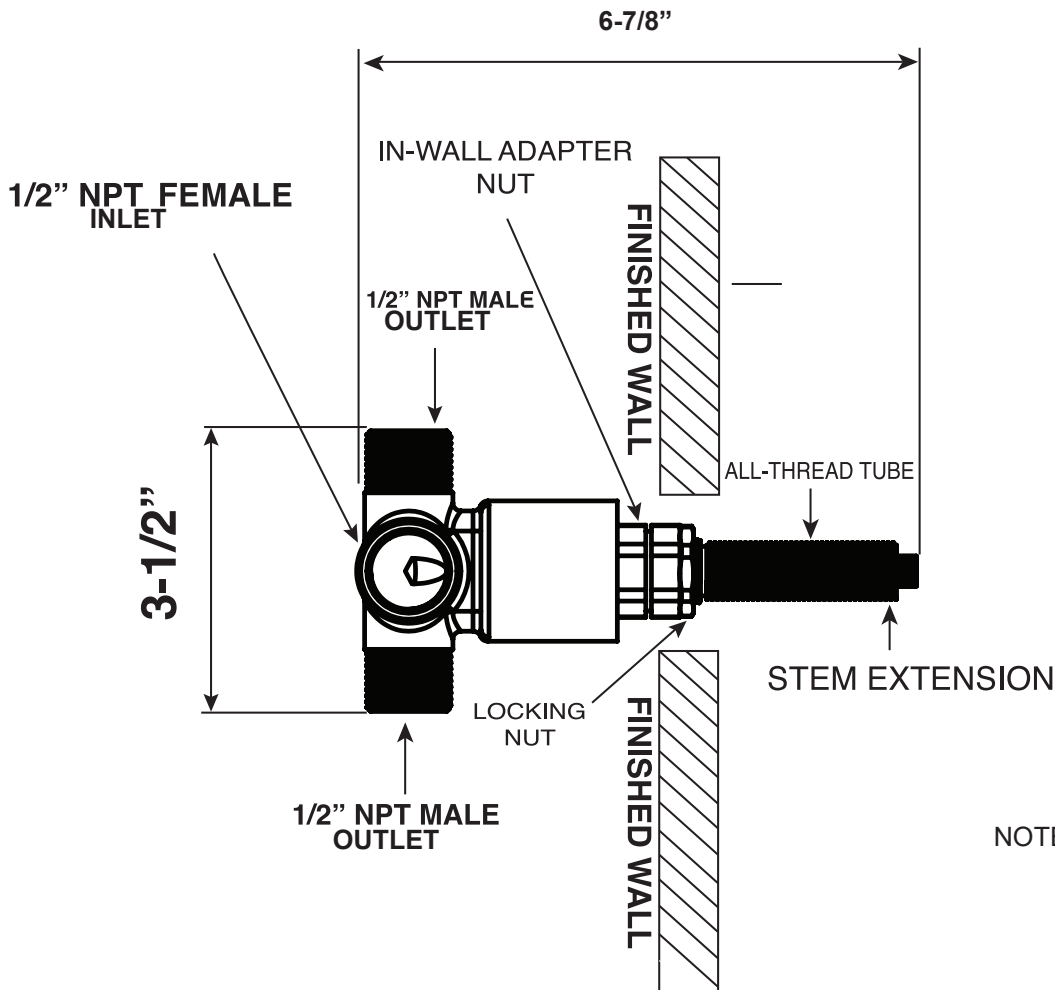


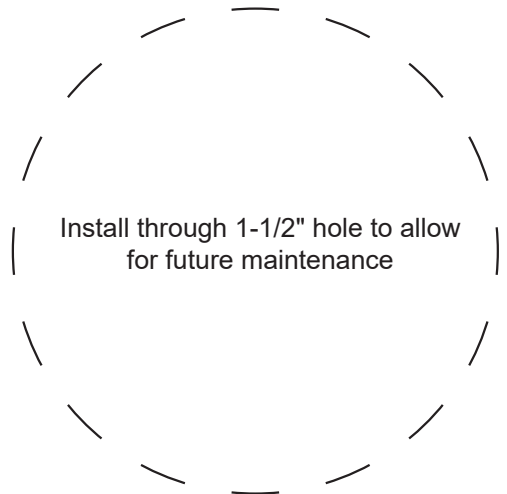
SPECIFICATIONS

20pt. 3-Port In-Wall Diverter Valve, Trickle Flow

78.30.254



NOTE: Trickle-flow valves require separate shut-off.



Note: Measurements are subject to change or cancellation. No responsibility is assumed for use of superseded or voided pages.