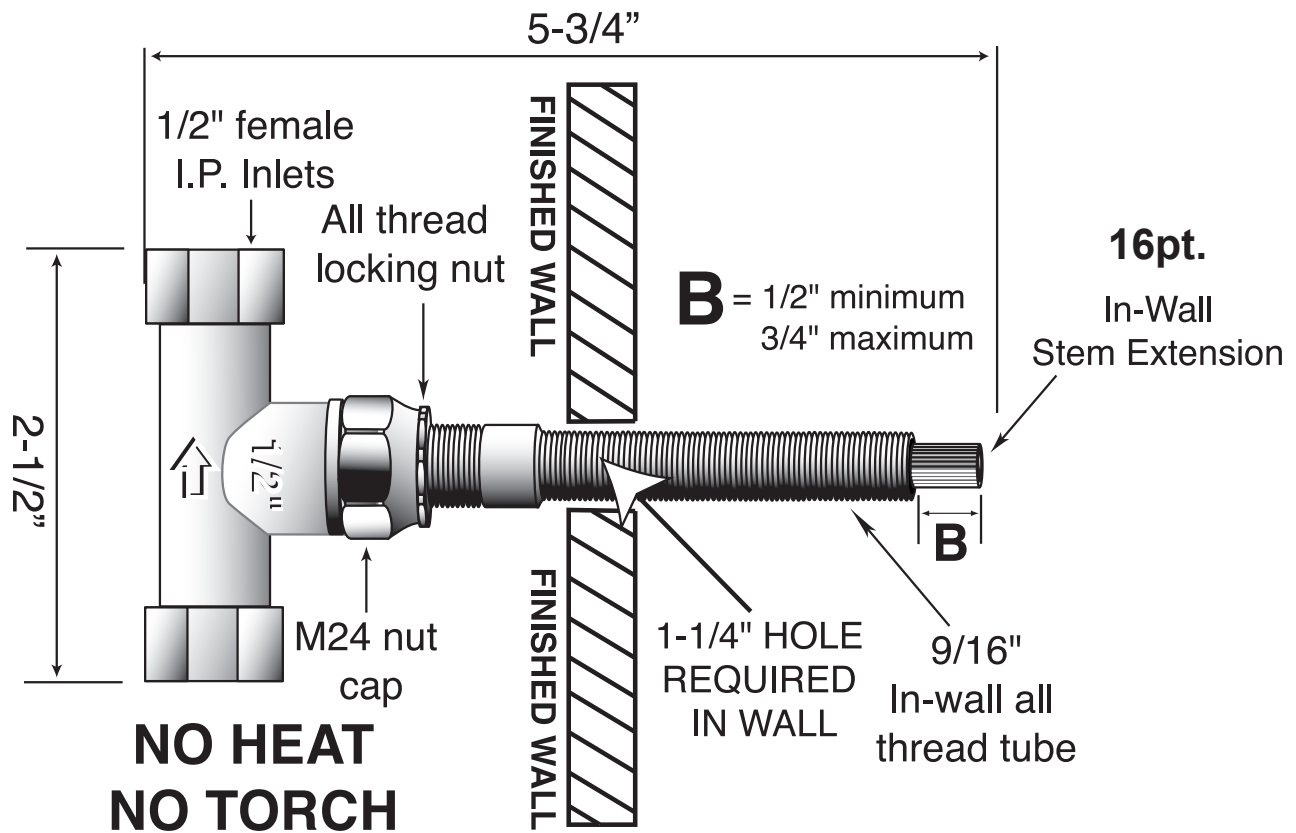


1/2" In-Line Shut-Off Valve 16pt

18.30.020



Replacement Cartridge: **18.30.036**