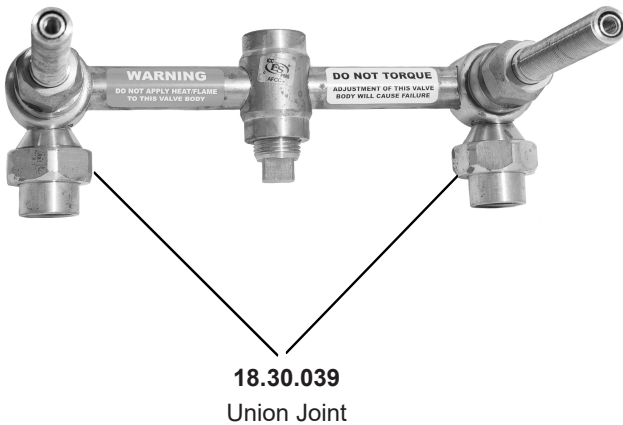
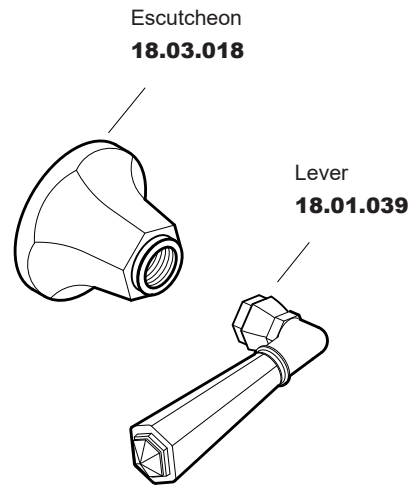
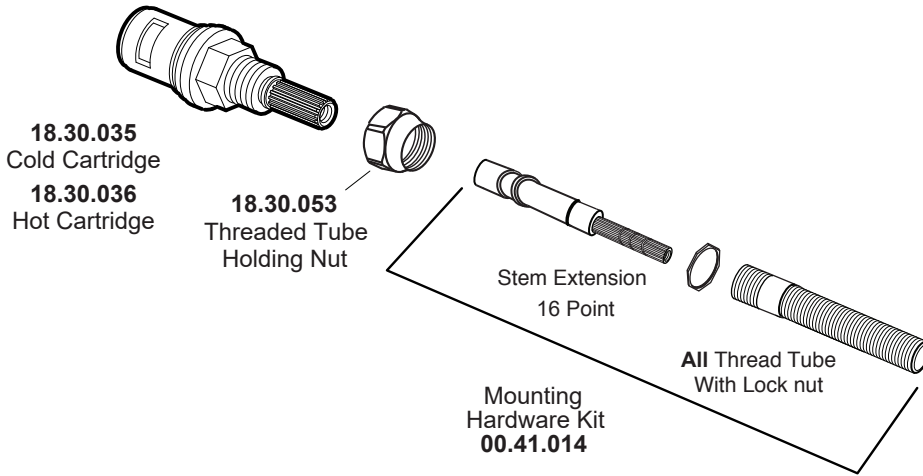
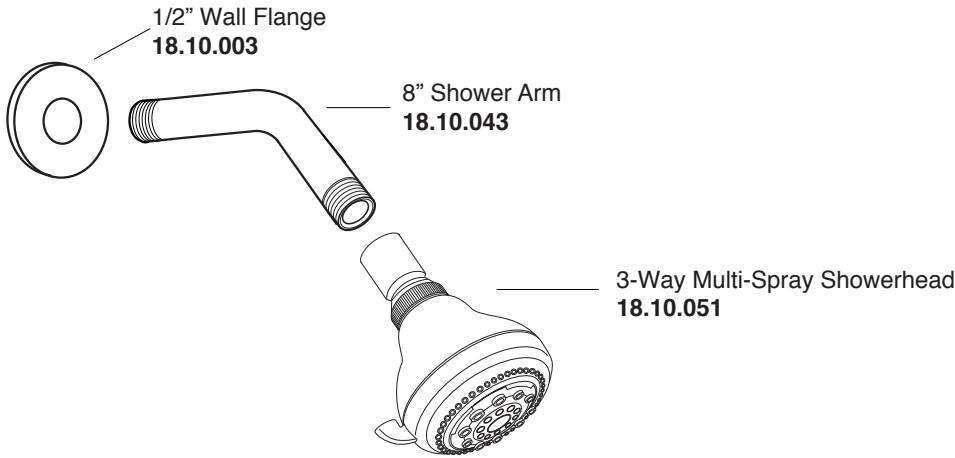


PARTS LIST

2 Valve Shower Set with Windham Handles

1.001042

1.001042T (Trim Only)
18.30.008 (Rough 8")
18.30.141 (Rough 10")



Additional
Extention Kits
Available for
Purchase

18.30.049
(1) per Handle