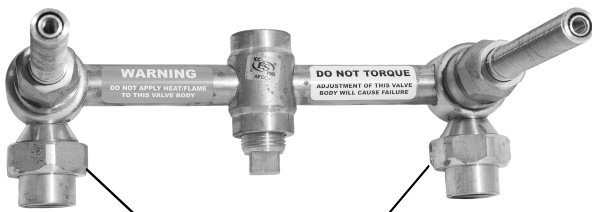
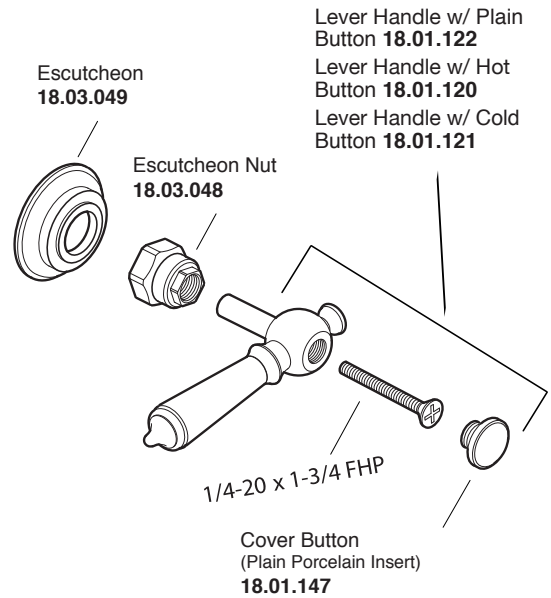
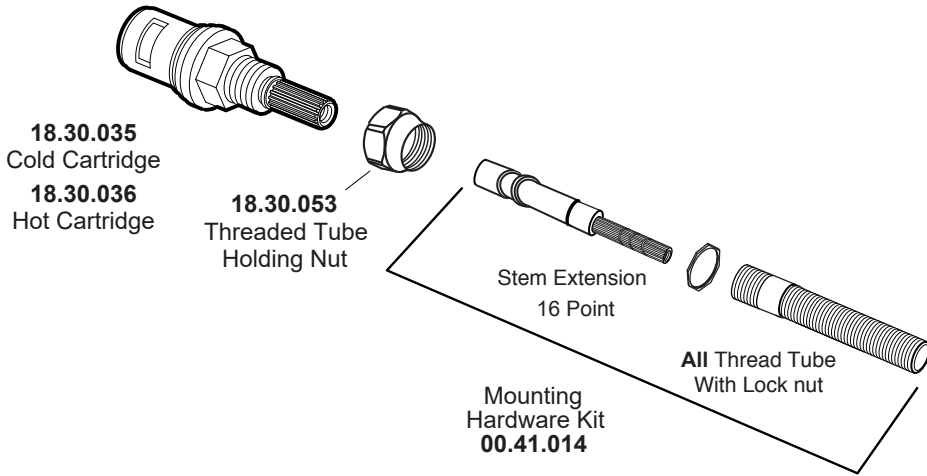
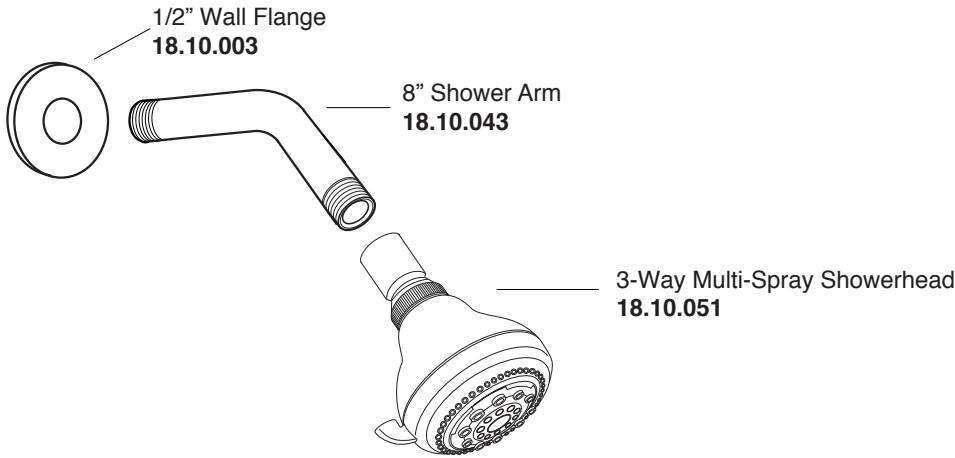


# PARTS LIST

## 2 Valve Shower Set with Ascot Handles

### 1.007742F

1.007742FT (Trim Only)  
18.30.008 (Rough 8")  
18.30.141 (Rough 10")



Additional  
Extension Kits  
Available for  
Purchase

**18.30.049**  
**(1) per Handle**