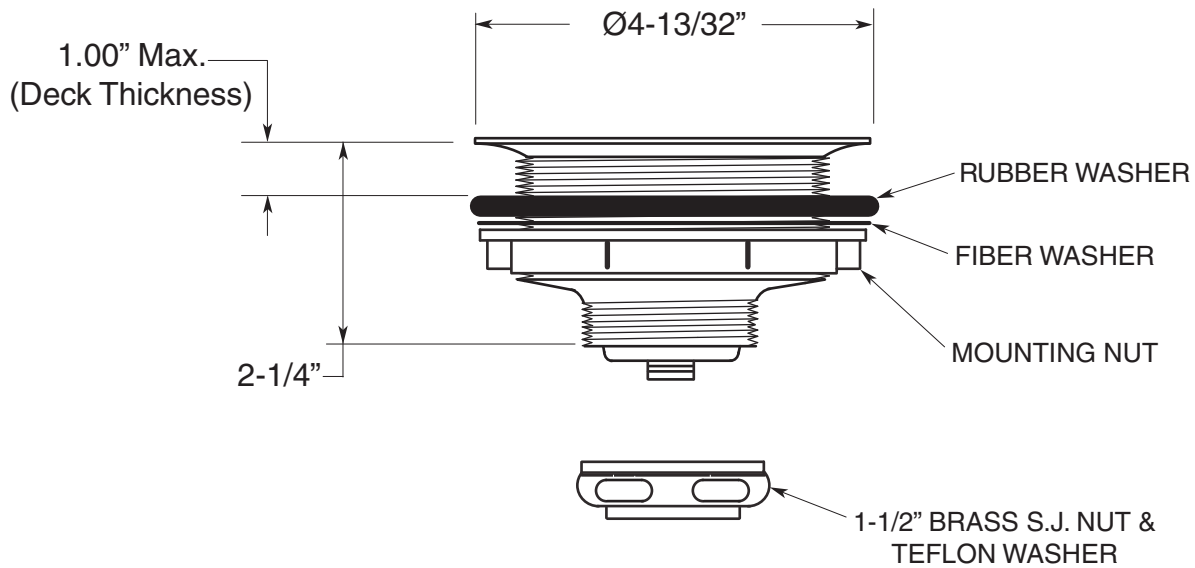
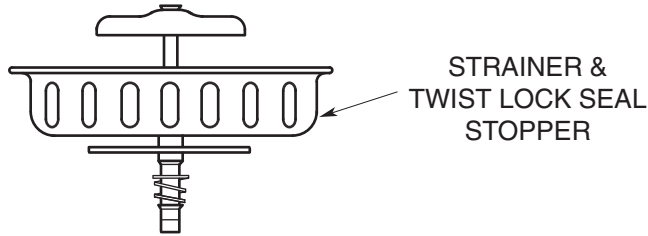


# Kitchen & Bar

**FEATURES:**

- Brass construction body.
- Available in all Sigma finishes. Warranty varies according to finish selection.
- Maximum deck thickness: 1.00"
- 3-1/2" to 4.00" diam. mounting hole required

3-1/2" Twist Lock Wing Nut  
Kitchen Basket Strainer  
APS.11.251



Note: Measurements are subject to change or cancellation. No responsibility is assumed for use of superseded or voided pages.