

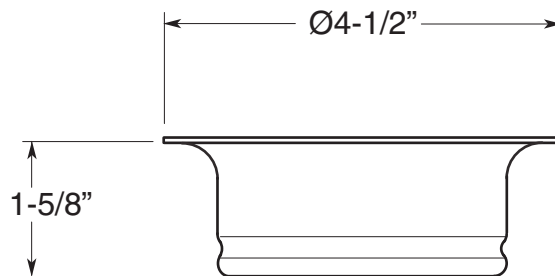
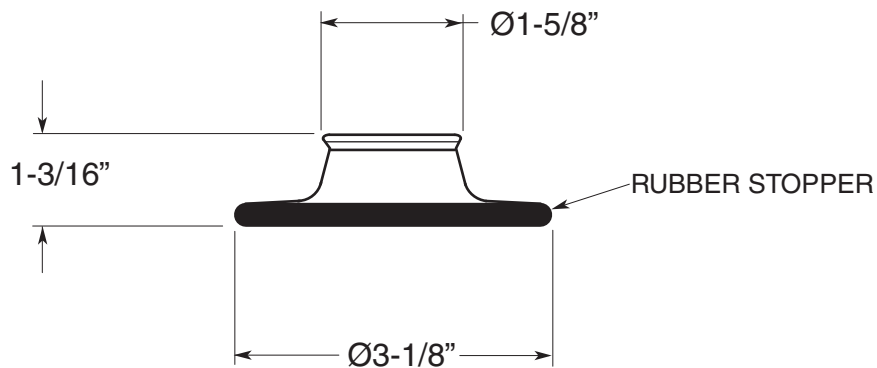
FEATURES:

- Solid Brass construction: body & stopper.
- Use mounting hardware supplied with garbage disposal.
- Available in all finishes. Warranty varies according to finish selection.
- Maximum deck thickness: 1.00"
- 3-1/2" to 4.00" dia. mounting hole required

SPECIFICATIONS

Kitchen & Bar

3-1/2" Standard Type Application,
ISE, Kenmore & KitchenAid
Type Disposer Stopper
APS.11.280



Note: Measurements are subject to change or cancellation. No responsibility is assumed for use of superseded or voided pages.