

Series 300

Pressure Balance Tub & Shower

1.301068

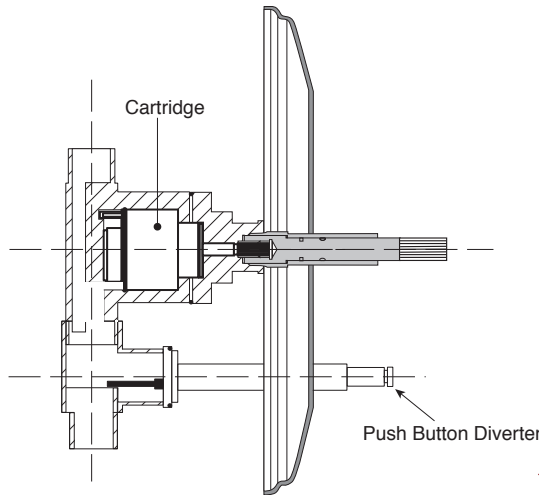
Windham Handle

(1.301068T - Trim Only)

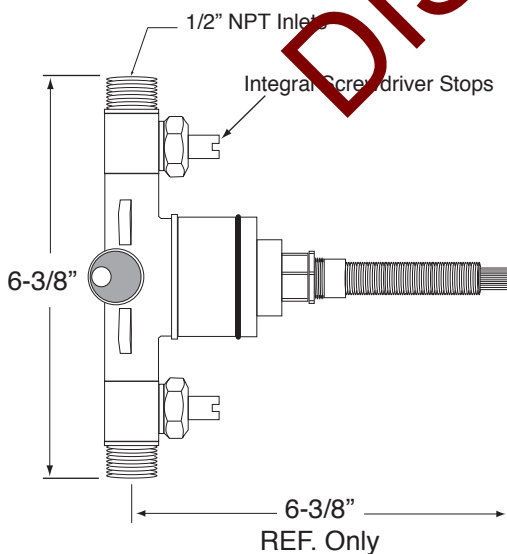
Features:

- Forged brass construction
- Ceramic disk valve cartridge 18.30.865
- Adjustable hot limit safety stop
- Reversible cartridge
- 5.6 GPM @ 45 PSI

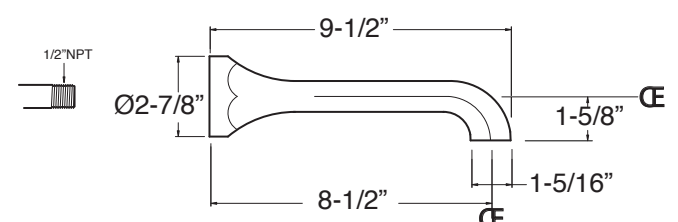
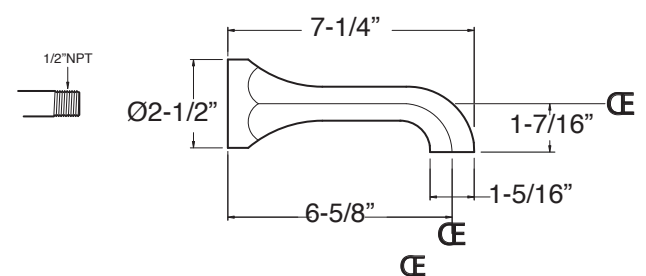
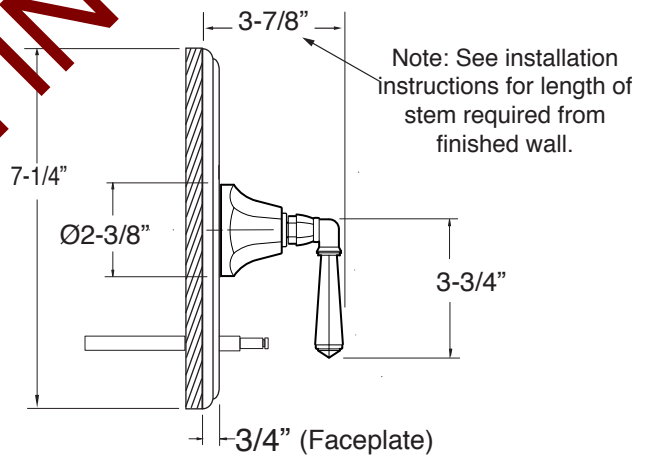
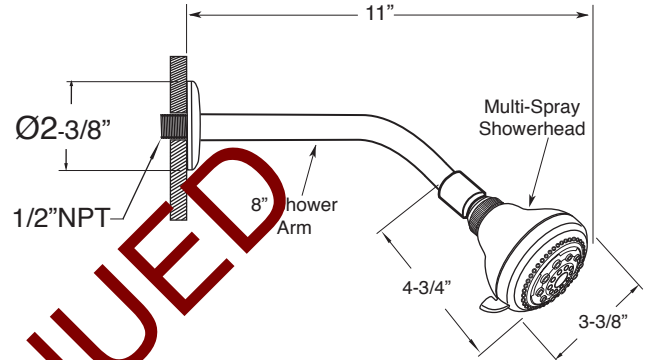
Cutaway View



Top View



DISCONTINUED



Note: Measurements are subject to change or cancellation. No responsibility is assumed for use of superseded or voided pages.