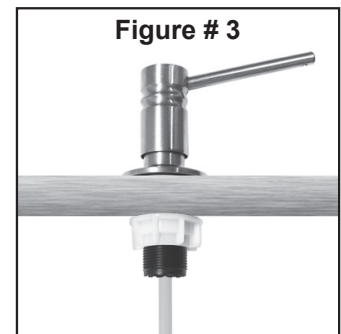
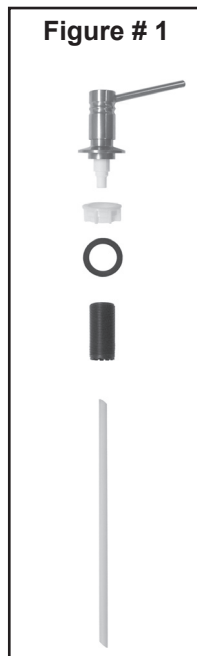


SOAP DISPENSER INSTALLATION

This product is precision engineered to provide satisfactory performance provided it is installed and operated in accordance with our recommendations. To fully enjoy the comfort, safety and reliability of your kitchen faucet accessories, be certain to familiarize yourself with these instructions.

STEP # 1:

Assemble top soap dispenser assembly by fitting rubber gasket, plastic shank, and long plastic tube in the order shown in **Figure # 1**.

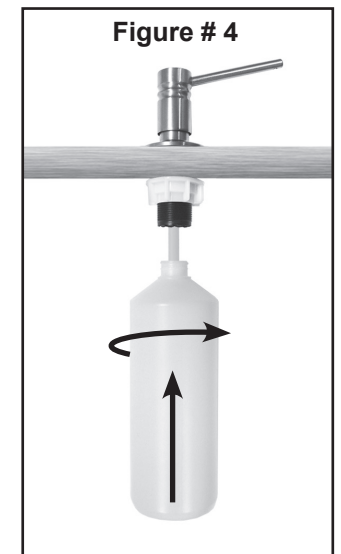


STEP # 2:

Drill 1-1/4" hole into deck and insert top soap dispenser assembly with plastic tube as shown in **Figure # 2**.

STEP # 3:

Place plastic mounting nut onto shank under deck (turning counter clockwise) to secure top soap dispenser assembly as shown in **Figure # 3**.



STEP # 5:

Insert plastic soap dispenser container into plastic threaded tube by turning clockwise as shown in **Figure # 4**.

STEP # 5: The finished assembly is shown in **Figure # 5**.

REFILLING PROCEDURES:

Fill the soap dispenser with your favorite soap solution and install under deck screwing bottle counter-clockwise into the shank.

NOTE:

PLEASE DO NOT REMOVE THE PLUNGER ASSEMBLY IN ATTEMPTS TO REFILL SOAP BOTTLE FROM THE COUNTER LEVEL.



American Faucet and Coatings Corporation