

3 Valve Tub & Shower

1.324033D

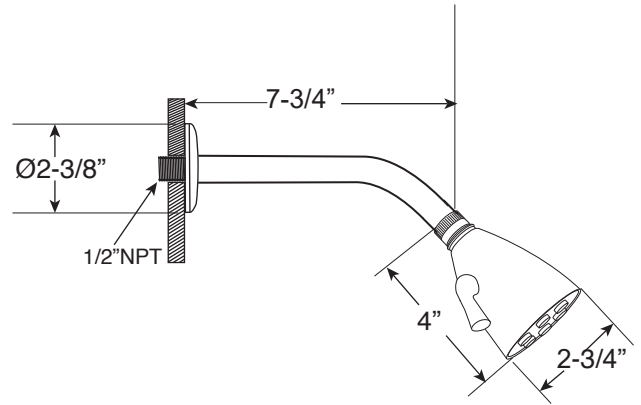
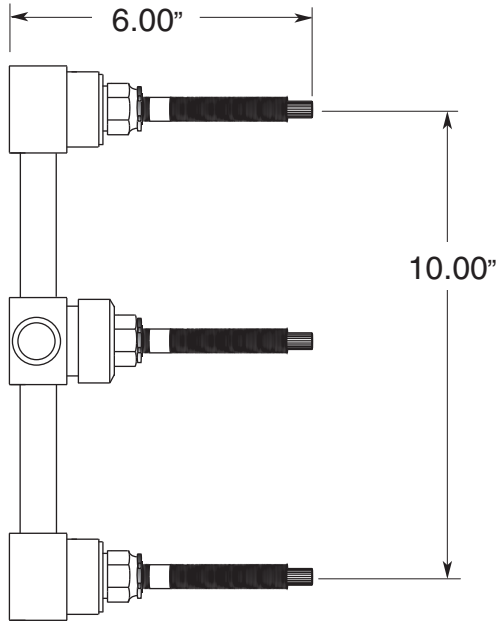
Madison Elite Handle

1.324033DT Trim Only

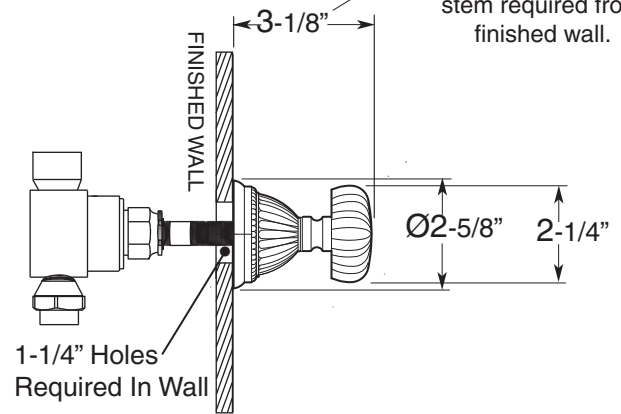
Features:

- Forged brass construction
- Built-in diverter valve assembly
- 8" Center to Center available on request
- Replacement cartridge: 18.30.035 - cold / 18.30.036 - hot
18.30.012 - diverter
- Includes 1.8 GPM Showerhead, (18.10.024), arm & flange
- 3200 Wall Tub Spout 18.17.027 & spout ring

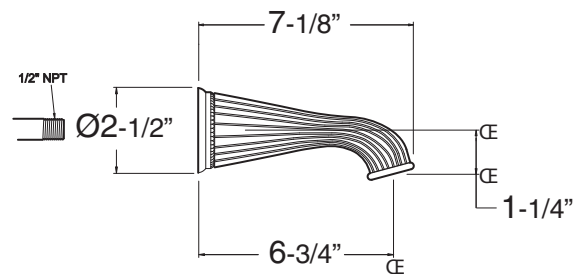
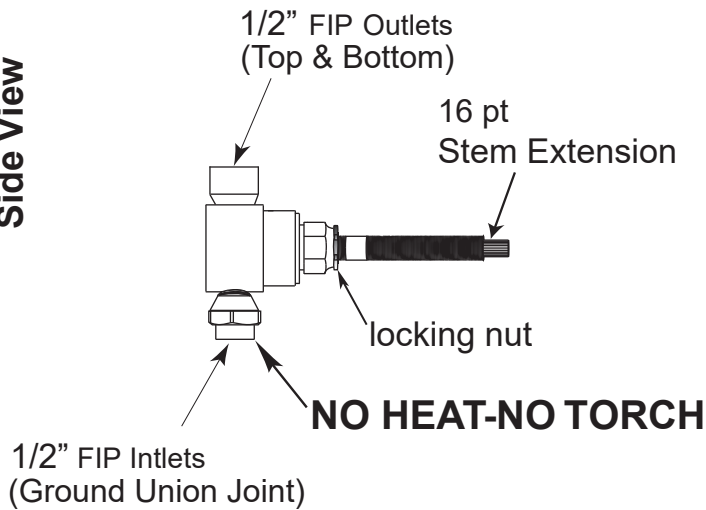
Top View



Note: See installation instructions for length of stem required from finished wall.



Side View



Note: Measurements are subject to change or cancellation. No responsibility is assumed for use of superseded or voided pages.