

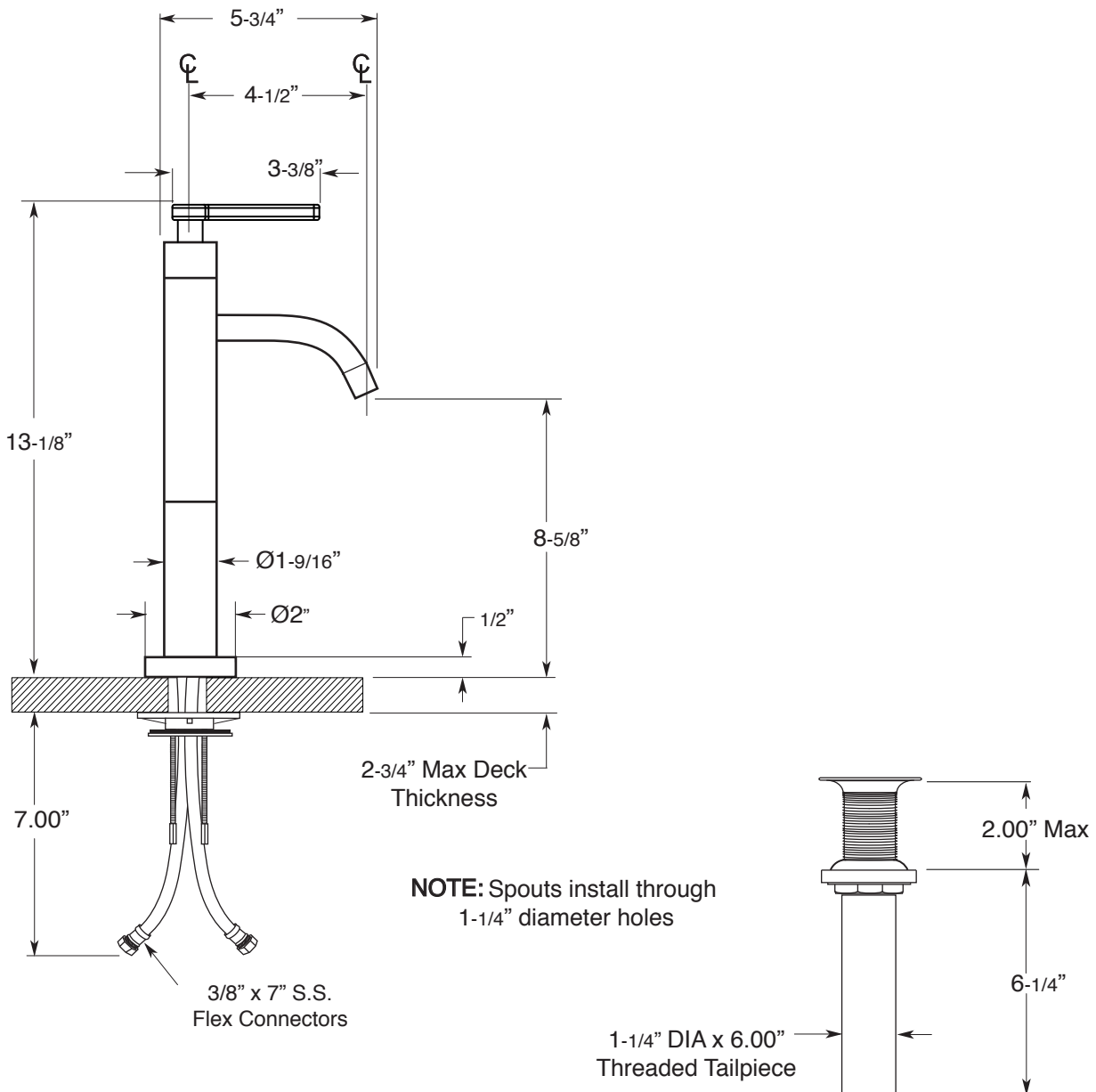
FEATURES:

- All brass construction.
- Flexible hose connections.
- Includes grid style drain without overflow. P/N 18.11.120
- Concealed aerator requires special supplied blue removal key.
- Pre-assembled handle & escutcheon.
- Cartridge rotates 180°. Replacement cartridge P/N: 18.30.219
- Available in all finishes. Warranty varies according to finish selection.
- Standard aerator is limited to 1.2 gpm.
- Certified to meet or exceed the following codes and standards:
ASME A112.18.1/CSAB 125.1-2012

Series 3400/4400

**Single-Hole Tall Vessel
Lavatory Set
Carina Handle**

1.342828



Note: Measurements are subject to change or cancellation. No responsibility is assumed for use of superseded or voided pages.