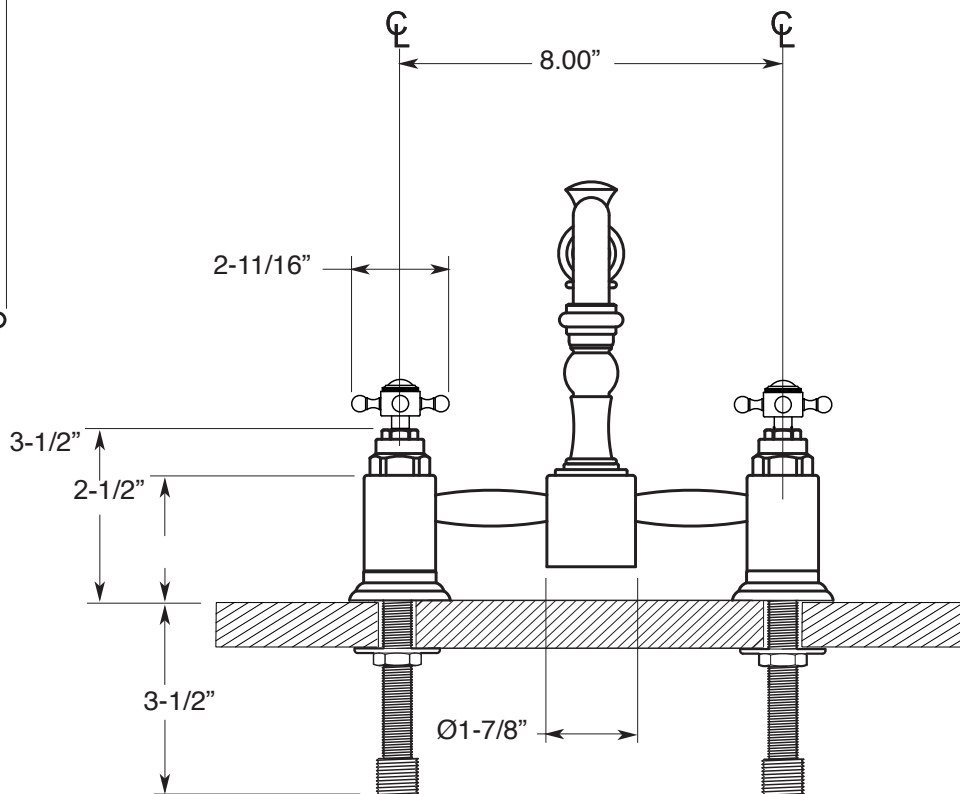
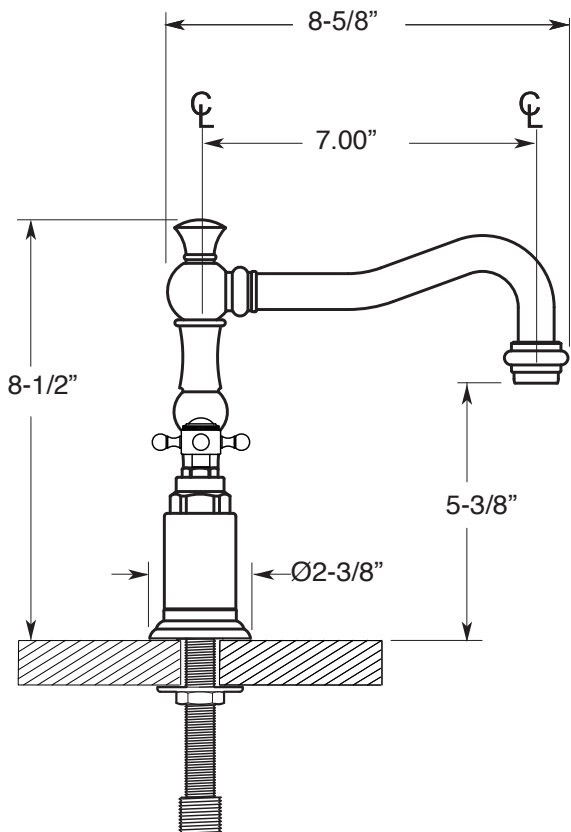


**FEATURES:**

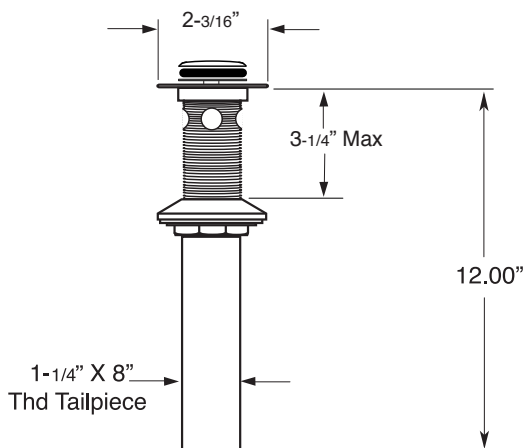
- All brass construction.
- Flexible hose connections.
- Replacement cartridge P/N: 18.30.029-cold / 18.30.030-hot
- Replacement Handles P/N: 18.01.063 hot / 18.01.064 cold
- Available in all finishes. Warranty varies according to finish selection.
- Standard aerator is limited to 1.2 gpm. P/N: 18.07.001

**350 Series Pillar Lavatory Set  
with St. Michel Handles  
(Swivel Spout)**

**1.3555034**



Connections are for 1/2" IPS Flexible Supplies or 3/8" O.D. Bull-Nose Risers



SOFT TOUCH DRAIN ASSEMBLY P/N 18.11.052

Note: Measurements are subject to change or cancellation. No responsibility is assumed for use of superseded or voided pages.