

**FEATURES:**

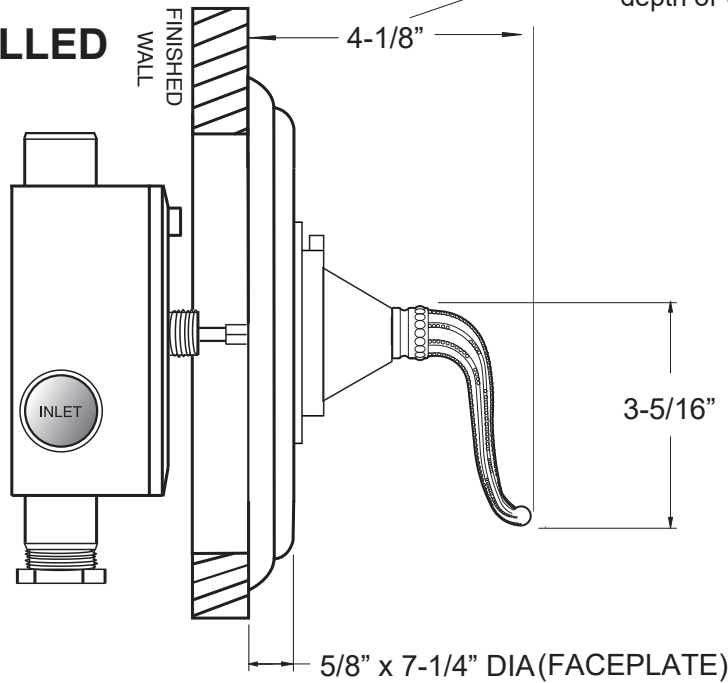
- Cast brass construction.
- 3/4" Thermostatic valve - 18.30.071
- Thermostatic valve cartridge with cover plate: 18.30.147
- Thermostatic reverse cartridge with cover plate: 18.30.161
- 14.28 GPM @ 56 PSI top exit & 11.10 GPM bottom exit

**3/4" Thermostatic Shower Set  
with Jefferson Elite II Handle  
1.000297  
(1.000297T Trim Only)**

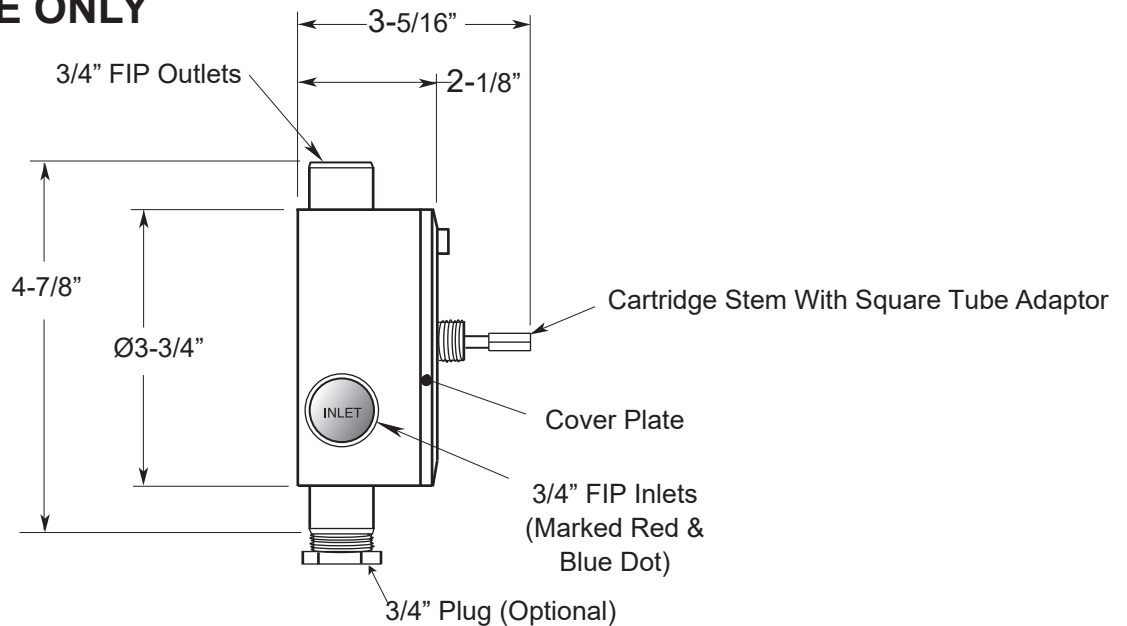
NOTE: Separate 3/4" shut offs required to operate system.

Note: See installation instructions for proper depth of valve to the finished wall

**SIDE VIEW - INSTALLED**



**SIDE VIEW - VALVE ONLY**



Note: Measurements are subject to change or cancellation. No responsibility is assumed for use of superseded or voided pages.