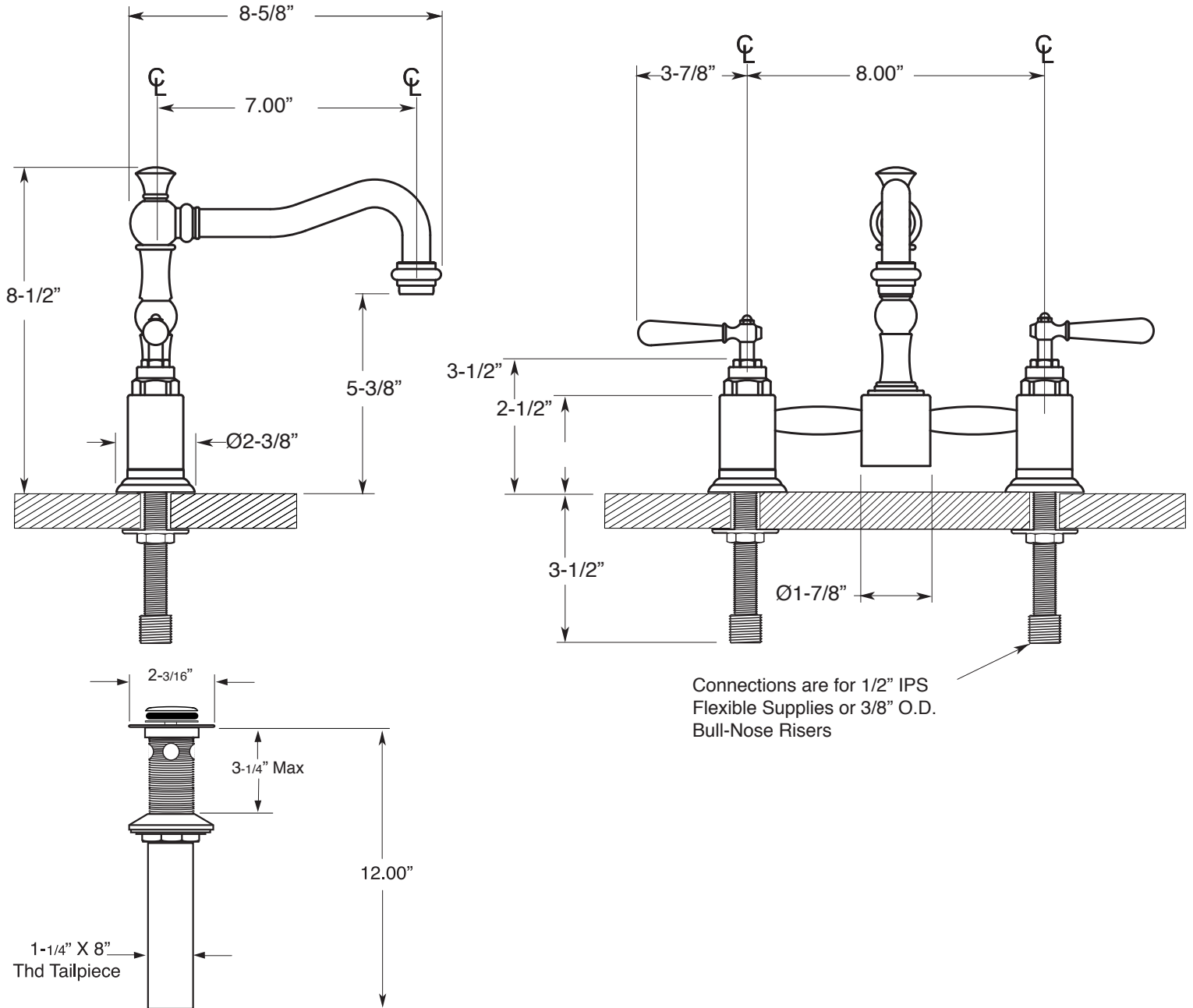


FEATURES:

- All brass construction.
- Flexible hose connections.
- Replacement cartridge P/N: 18.30.029-cold /18.30.030-hot
- Replacement Handles P/N: 18.01.057
- Available in all finishes. Warranty varies according to finish selection.
- Standard aerator is limited to 1.2 gpm. P/N: 18.07.001

**350 Series Pillar Lavatory Set
with Loire Handles
(Swivel Spout)**

1.3556034



Connections are for 1/2" IPS Flexible Supplies or 3/8" O.D. Bull-Nose Risers

SOFT TOUCH DRAIN ASSEMBLY P/N 18.11.052

Note: Measurements are subject to change or cancellation. No responsibility is assumed for use of superseded or voided pages.